

SPECIFICATIONS:

MATERIALS:

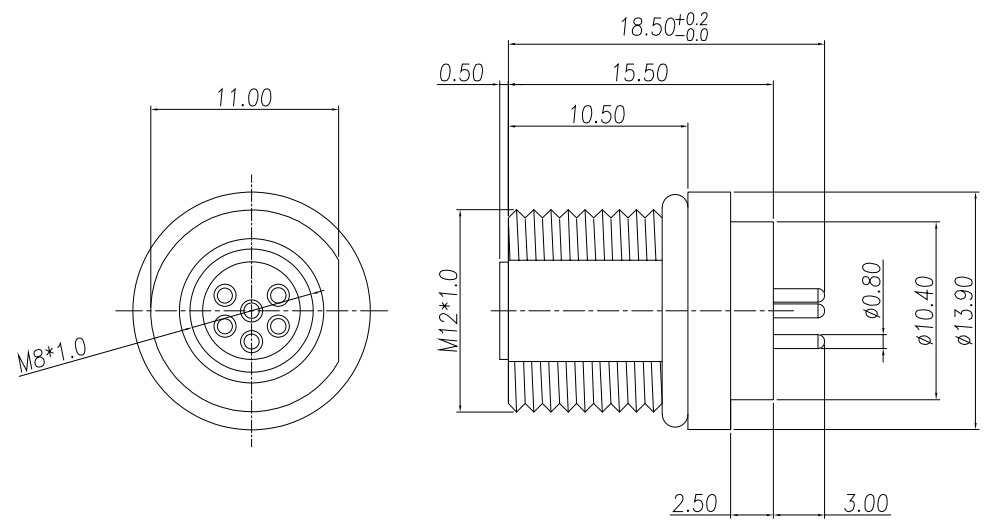
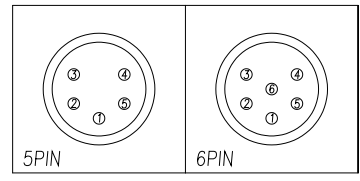
HOUSING: PBT, UL94 V-0, BLACK
 CONTACTS: 10u" GOLD PLATED BRASS
 NUT: SEE P/N KEY BELOW
 SHELL: SEE P/N KEY BELOW
 ORING A: NBR
 ORING B: EPDM

ELECTRICAL:

RATED CURRENT: 1.5A
 RATED VOLTAGE: 30V
 INSULATION RESISTANCE: 100 MOhms MIN.
 CONTACT RESISTANCE: 10 mOhms MAX.

ENVIRONMENT:

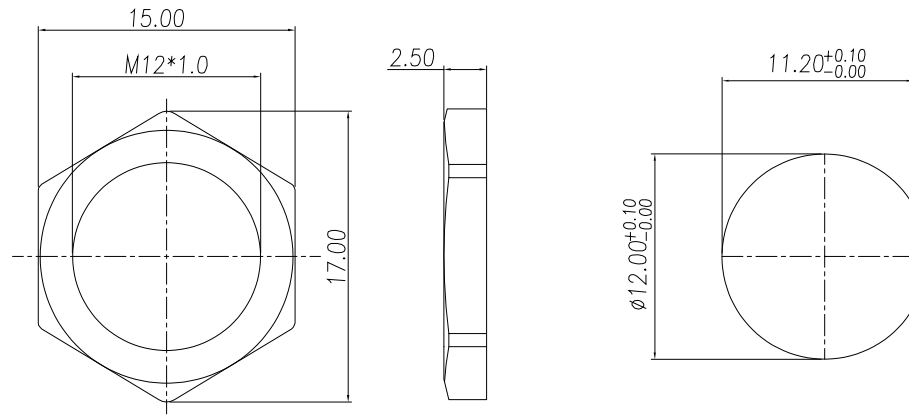
OPERATING TEMPERATURE: -40°C TO +85°C
 WATER PROOF: IP67



856-00Y-21YR004

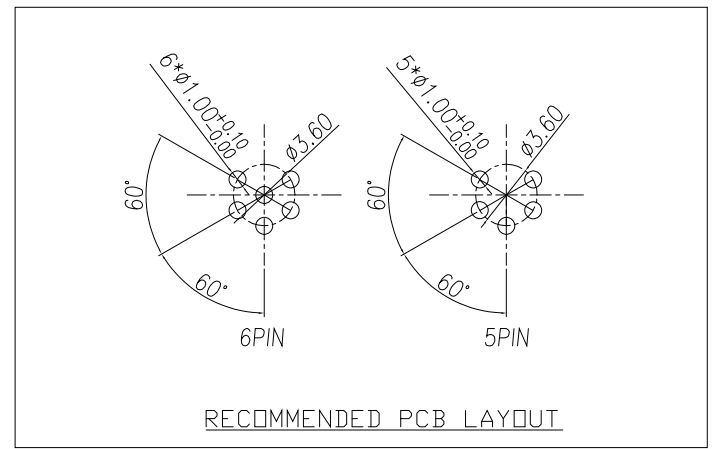
5 = 5 POSITION
 6 = 6 POSITION

3 = BRASS/NICKEL SHELL & NUT
 S = 316 STAINLESS STEEL SHELL & NUT



NUT

RECOMMENDED PANEL CUT-OUT



RECOMMENDED PCB LAYOUT

RoHS COMPLIANT

UNITS = mm

DO NOT SCALE FROM DRAWING



THESE DRAWINGS AND SPECIFICATIONS ARE THE PROPERTY OF NorComp AND SHALL NOT BE REPRODUCED, COPIED OR USED AS THE BASIS FOR THE MANUFACTURE OR SALE OF APPARATUS WITHOUT WRITTEN PERMISSION.

DRAWN: J. KADEL
 DATE: 04/13/2021

NorComp

SCALE: NTS	SHEET 1 OF 1	REV 2
DWG NO. 856-00Y-213R004		