

DESCRIPTION: M8 MALE DUST COVER

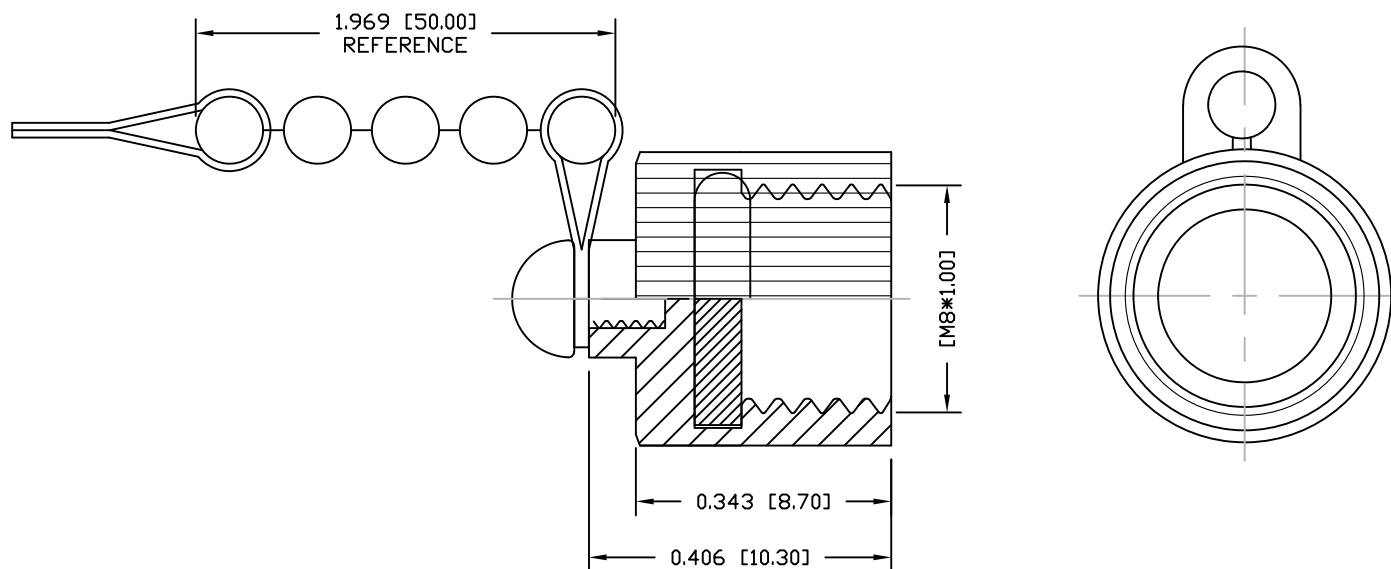
NOTE:

MATERIAL

COVER: BRASS  
SCREW: STEEL  
SNAP RING: BRASS  
BEAD CHAIN: STEEL  
O-RING: SILICON, BLACK

FINISH

COVER: NICKEL PLATED OVER ALL  
SCREW: NICKEL PLATED OVER ALL  
SNAP RING: NICKEL PLATED OVER ALL



RoHS COMPLIANT

DO NOT SCALE FROM DRAWING



THESE DRAWINGS AND SPECIFICATIONS ARE THE PROPERTY OF NorComp AND SHALL NOT BE REPRODUCED, COPIED OR USED AS THE BASIS FOR THE MANUFACTURE OR SALE OF APPARATUS WITHOUT WRITTEN PERMISSION.

DRAWN:

C. SMITH

DATE:

12-12-14

NorComp

SCALE:  
NTS

SHEET OF  
1 1

REV  
1

DWG NO.

854103M-DC