

SPECIFICATIONS:

MATERIALS:

HOUSING & GLANDS:	PA66, UL94 V-0
CONTACTS:	10µ" GOLD PLATED BRASS
NUT:	NICKEL PLATED BRASS
SHELL:	NICKEL PLATED BRASS
ORING:	EPDM & NBR

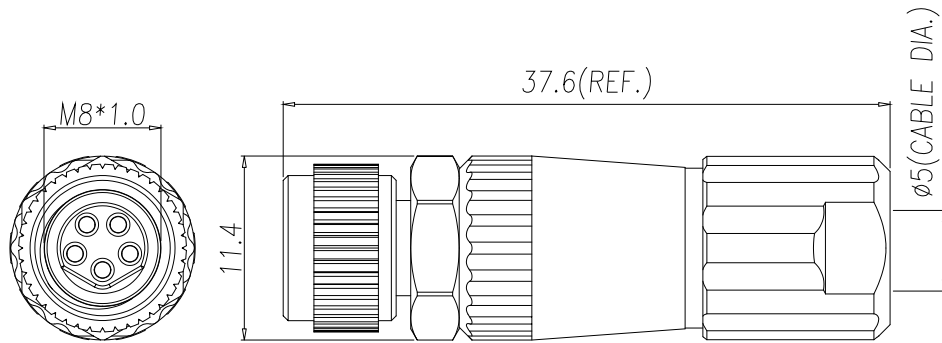
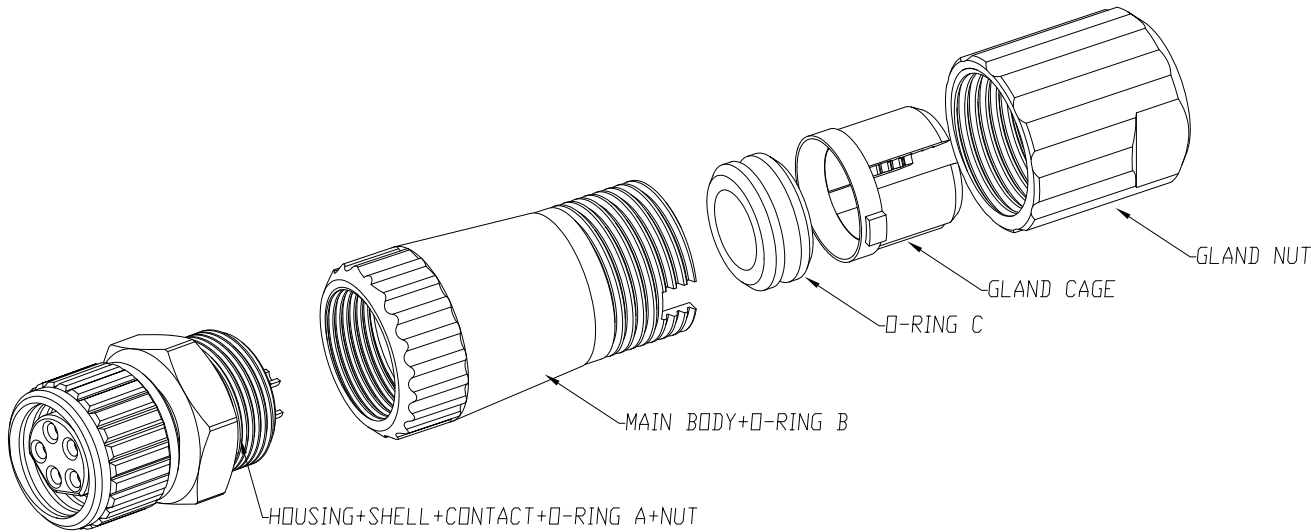
ELECTRICAL:

RATED CURRENT:	1.5A
RATED VOLTAGE:	30V
INSULATION RESISTANCE:	100 MOhms MIN.
CONTACT RESISTANCE:	10 mOhms MAX.

ENVIRONMENT:

OPERATING TEMPERATURE:	-40°C TO +85°C
WATER PROOF:	IP67

MAX WIRE AWG: 24



RoHS COMPLIANT

UNITS = mm

DO NOT SCALE FROM DRAWING



THESE DRAWINGS AND SPECIFICATIONS ARE THE PROPERTY OF NorComp AND SHALL NOT BE REPRODUCED, COPIED OR USED AS THE BASIS FOR THE MANUFACTURE OR SALE OF APPARATUS WITHOUT WRITTEN PERMISSION.

DRAWN:

J. KADEL

DATE:

08/30/2024

NorComp

SCALE:

NTS

SHEET

OF

1

1

REV

0

DWG NO.

854-B05-203RKT4