

DESCRIPTION: M5 FEMALE - RIGHT ANGLE - 4 POSITION

NOTE:

MATERIAL

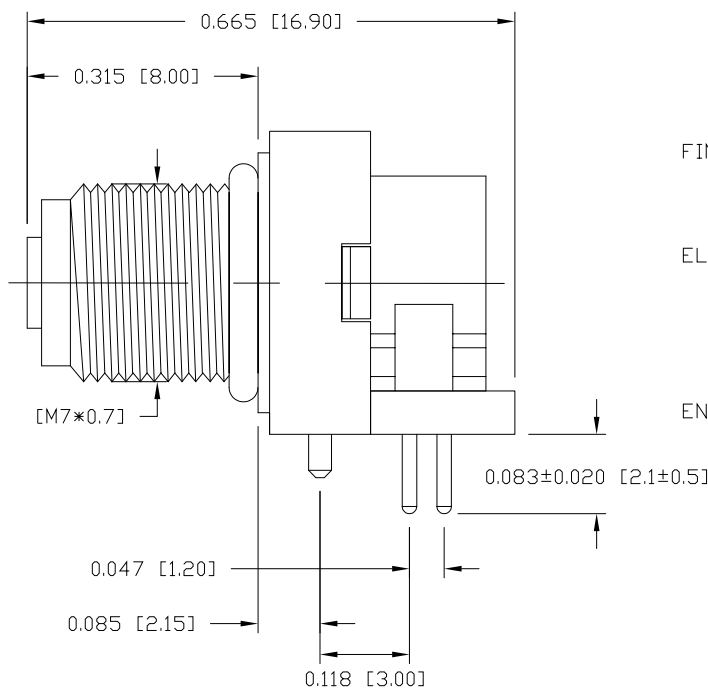
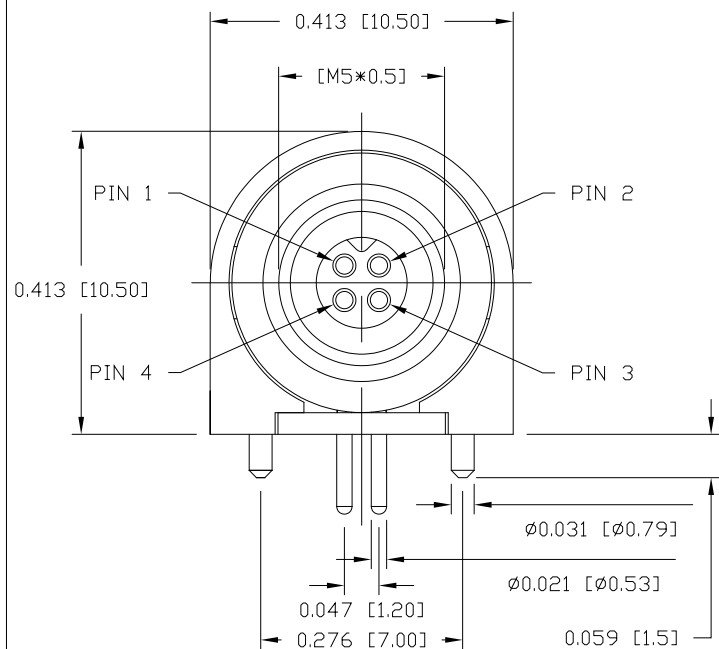
HOUSING:	PBT UL94V-0, BLACK
CONTACT:	BRASS
NUT:	BRASS
O-RING:	NBR, BLACK
BACK HOUSING:	PBT UL94V-0, BLACK
DOWN HOUSING:	PBT UL94V-0, BLACK

FINISH

CONTACT:	GOLD PLATED
UNDER PLATE:	NICKEL
NUT:	NICKEL

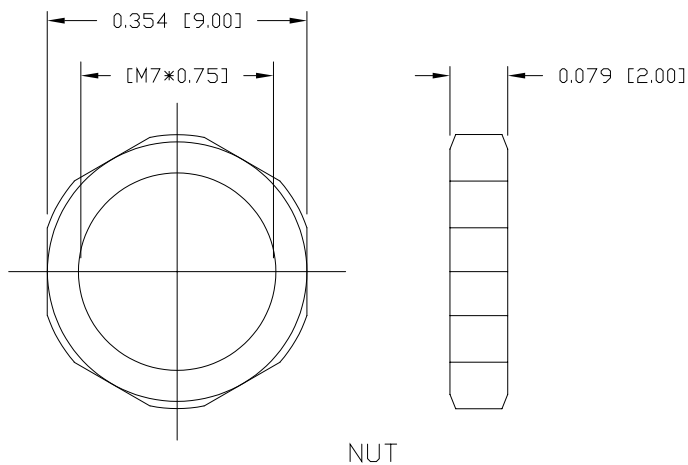
ELECTRICAL:

RATED CURRENT:	1A
RATED VOLTAGE:	60V
INSULATION RESISTANCE:	100 MΩhms MIN.
CONTACT RESISTANCE:	10 mΩhms MAX.
WATER PROOF:	IP67
ENVIRONMENT:	
OPERATION TEMPERATURE:	-40°C TO +85°C

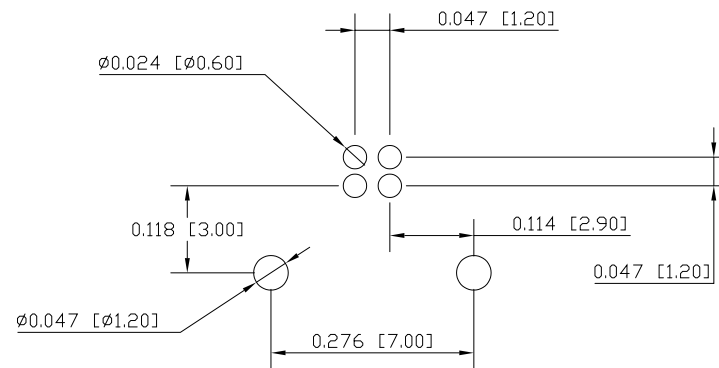
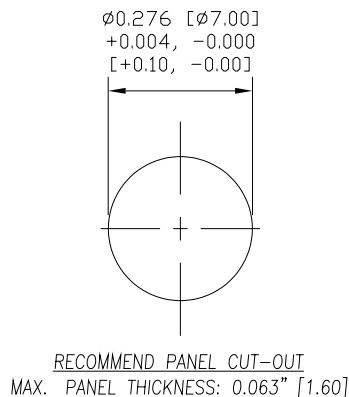


853-004-213R00Y

1 = GOLD FLASH  
4 = 10µ" GOLD



NUT



RECOMMENDED PCB LAYOUT

RoHS COMPLIANT

UNITS = inch [mm]

DO NOT SCALE FROM DRAWING



THESE DRAWINGS AND SPECIFICATIONS ARE THE PROPERTY OF NorComp AND SHALL NOT BE REPRODUCED, COPIED OR USED AS THE BASIS FOR THE MANUFACTURE OR SALE OF APPARATUS WITHOUT WRITTEN PERMISSION.

DRAWN:  
M. SIGMON

DATE:  
03/04/2016

NorComp

SCALE:  
NTS

SHEET 1 OF 1

REV 11

DWG NO.

853-004-213R00Y