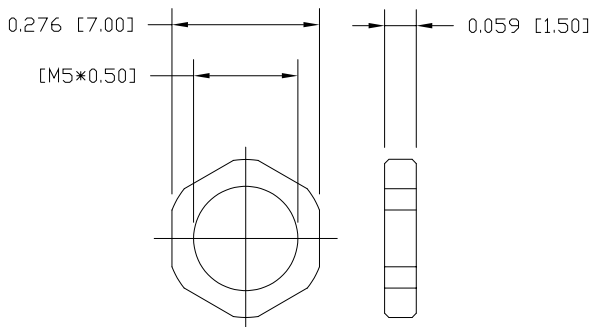
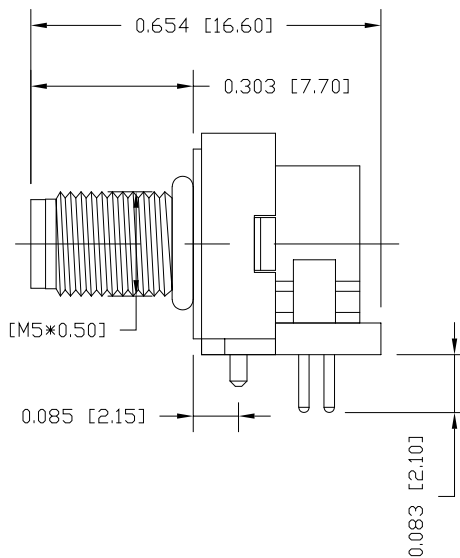
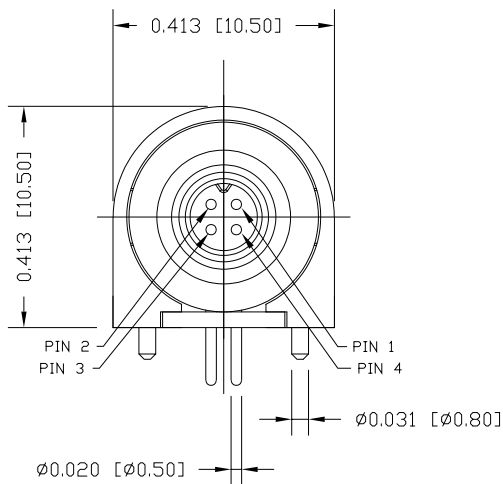


SPECIFICATIONS:

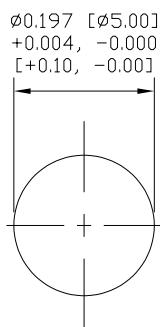
MATERIALS:
 HOUSING: PBT, UL94 V-0, BLACK
 CONTACTS: GOLD PLATED BRASS (SEE P/N KEY BELOW)
 NUT: NICKEL PLATED BRASS
 SHELL: NICKEL PLATED BRASS
 ORING: EPDM, BLACK

ELECTRICAL:
 RATED CURRENT: 1A
 RATED VOLTAGE: 60V
 INSULATION RESISTANCE: 100 MOhms MIN.
 CONTACT RESISTANCE: 10 mOhms MAX.

ENVIRONMENT:
 OPERATING TEMPERATURE: -40°C TO +85°C
 WATER PROOF: IP67



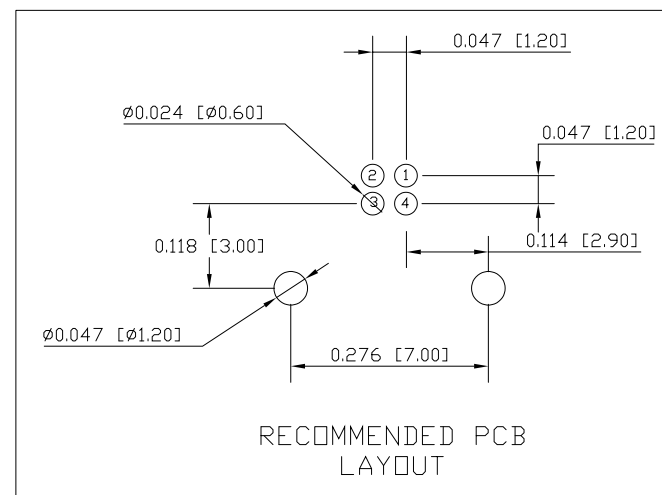
NUT



RECOMMEND PANEL CUT-OUT
 MAX. PANEL THICKNESS: 0.063" [1.60]

853-004-113R00Y

1 = GOLD FLASH
 4 = 10 μ " GOLD



RECOMMENDED PCB LAYOUT

RoHS COMPLIANT



THESE DRAWINGS AND SPECIFICATIONS ARE THE PROPERTY OF NorComp AND SHALL NOT BE REPRODUCED, COPIED OR USED AS THE BASIS FOR THE MANUFACTURE OR SALE OF APPARATUS WITHOUT WRITTEN PERMISSION.

DRAWN:
 M. SIGMON

DATE:
 03/04/2016

UNITS = inch [mm]

DO NOT SCALE FROM DRAWING

NorComp

SCALE:
 NTS

SHEET 1 OF 1

REV 9

DWG NO.

853-004-113R00Y