

SPECIFICATIONS:

MATERIALS:

HOUSING: PBT, UL94 V-0, BLACK
 CONTACTS: 10u" GOLD PLATED BRASS
 NUT: 316 STAINLESS STEEL
 SHELL: 316 STAINLESS STEEL
 ORING: EPDM

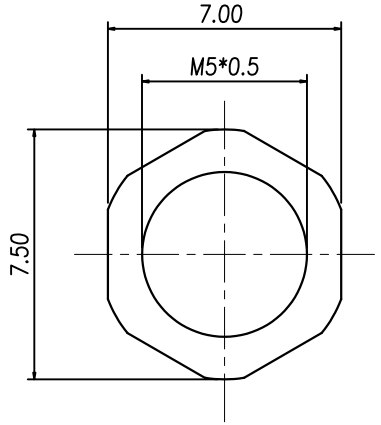
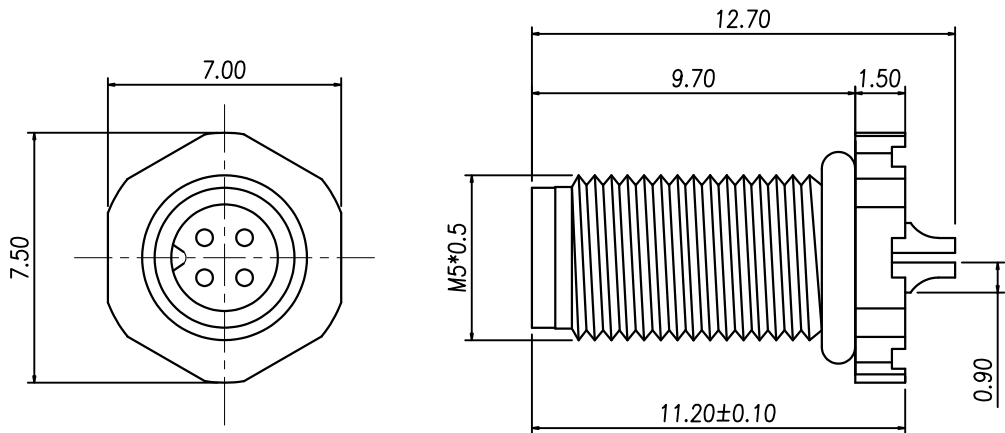
ELECTRICAL:

RATED CURRENT: 1A
 RATED VOLTAGE: 60V
 INSULATION RESISTANCE: 100 MOhms
 CONTACT RESISTANCE: 10 mOhms

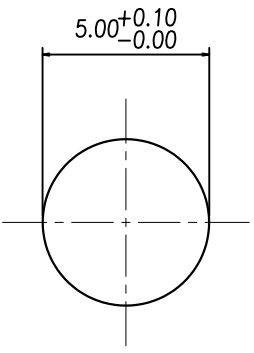
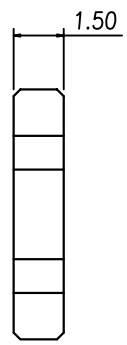
ENVIRONMENT:

OPERATING TEMPERATURE: -40°C TO +85°C
 WATER PROOF: IP67

MAX WIRE AWG: 28 AWG



NUT



RECOMMENDPANEL CUT-OUT

RoHS COMPLIANT

UNITS = mm

DO NOT SCALE FROM DRAWING



THESE DRAWINGS AND SPECIFICATIONS ARE THE PROPERTY OF NorComp AND SHALL NOT BE REPRODUCED, COPIED OR USED AS THE BASIS FOR THE MANUFACTURE OR SALE OF APPARATUS WITHOUT WRITTEN PERMISSION.

DRAWN: J. KADEL
 DATE: 11/03/2022

NorComp

SCALE: NTS	SHEET 1 OF 1	REV 0
DWG NO. 851-004-10SR004		