

DESCRIPTION: M16 // F // SOLDER CUP // FRONT PANEL MOUNT // SHIELDED

SPECIFICATIONS:

MATERIALS:

HOUSING: PA66, UL94 V-0, BLACK
 CONTACTS: GOLD FLASH PLATED BRASS
 NUT: NICKEL PLATED BRASS
 SHELL: NICKEL PLATED BRASS
 ORING: EPDM

ELECTRICAL:

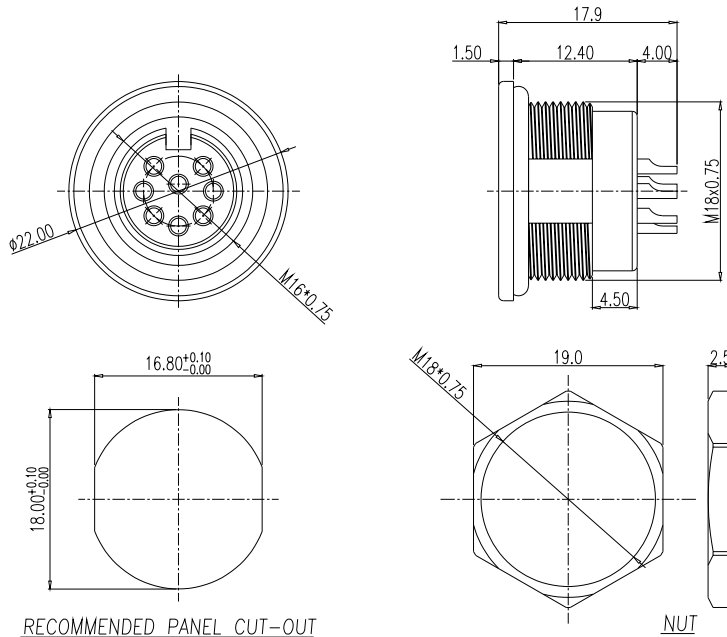
RATED CURRENT: 7A (3,4,5A,5B) // 5A (6,7A,7B,8)
 RATED VOLTAGE: 250V
 INSULATION RESISTANCE: 100 MOhms MIN.
 CONTACT RESISTANCE: 10 mOhms MAX.

ENVIRONMENT:

OPERATING TEMPERATURE: -40°C TO +85°C
 WATER PROOF: IP67

MAX WIRE AWG: 20 AWG

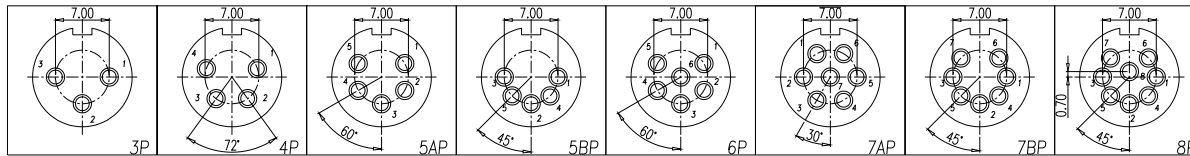
TORQUE: 0.7Nm to 1.5Nm



879-YYY-203RF01

POSITIONS (SEE POSITION CHART)

- 003 = 3 POSITION
- 004 = 4 POSITION
- 05A = 5(A) POSITION
- 05B = 5(B) POSITION
- 006 = 6 POSITION
- 07A = 7(A) POSITION
- 07B = 7(B) POSITION
- 008 = 8 POSITION



POSITION CHART (MATING SIDE SHOWN)

RoHS COMPLIANT



THESE DRAWINGS AND SPECIFICATIONS ARE THE PROPERTY OF NorComp AND SHALL NOT BE REPRODUCED, COPIED OR USED AS THE BASIS FOR THE MANUFACTURE OR SALE OF APPARATUS WITHOUT WRITTEN PERMISSION.

DRAWN:

J. KADEL

DATE:

09/05/2023

UNITS = mm

DO NOT SCALE FROM DRAWING

NorComp

SCALE: NTS

SHEET 1 OF 1

REV 3

DWG NO.

879-YYY-203RF01