

DESCRIPTION: M16 // F // SOLDER CUP // REAR PANEL MOUNT // SHIELDED

**SPECIFICATIONS:**

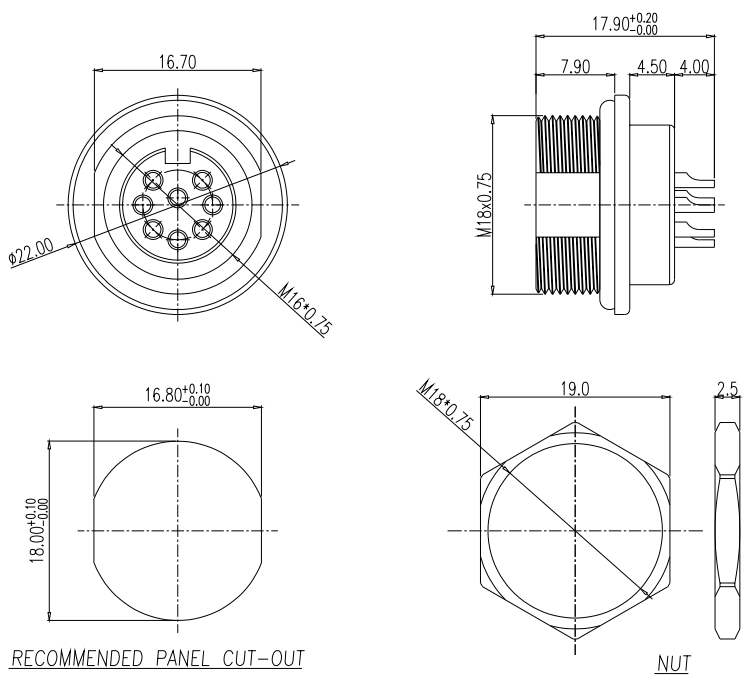
**MATERIALS:**  
 HOUSING: PA66, UL94 V-0, BLACK  
 CONTACTS: GOLD FLASH PLATED BRASS  
 NUT: NICKEL PLATED BRASS  
 SHELL: NICKEL PLATED BRASS  
 ORING: EPDM

**ELECTRICAL:**  
 RATED CURRENT: 7A (3,4,5A,5B) // 5A (6,7A,7B,8)  
 RATED VOLTAGE: 250V  
 INSULATION RESISTANCE: 100 MOhms MIN.  
 CONTACT RESISTANCE: 10 mOhms MAX.

**ENVIRONMENT:**  
 OPERATING TEMPERATURE: -40°C TO +85°C  
 WATER PROOF: IP67

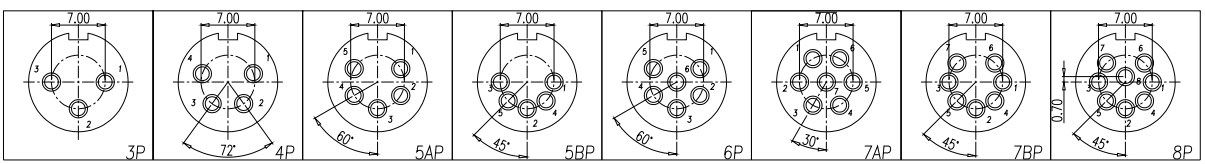
MAX WIRE AWG: 20 AWG

TORQUE: 0.7Nm to 1.5Nm



**879-YYY-203R001**

- POSITIONS (SEE POSITION CHART)  
 003 = 3 POSITION  
 004 = 4 POSITION  
 05A = 5(A) POSITION  
 05B = 5(B) POSITION  
 006 = 6 POSITION  
 07A = 7(A) POSITION  
 07B = 7(B) POSITION  
 008 = 8 POSITION



POSITION CHART (MATING SIDE SHOWN)

RoHS COMPLIANT



THESE DRAWINGS AND SPECIFICATIONS ARE THE PROPERTY OF NorComp AND SHALL NOT BE REPRODUCED, COPIED OR USED AS THE BASIS FOR THE MANUFACTURE OR SALE OF APPARATUS WITHOUT WRITTEN PERMISSION.

DRAWN: J. KADEL  
 DATE: 09/05/2023

UNITS = mm

DO NOT SCALE FROM DRAWING



SCALE: NTS	SHEET 1 OF 1	REV 3
DWG NO. 879-YYY-203R001		