

DESCRIPTION: M16 // F // SOLDER CUP // CABLE MOUNT // SHIELDED

**SPECIFICATIONS:**

**MATERIALS:**

HOUSING: PA66, UL94 V-0, BLACK  
 CONTACTS: GOLD FLASH PLATED BRASS  
 NUT: NICKEL PLATED BRASS  
 SHELL: NICKEL PLATED ZINC ALLOY  
 SPRING: STAINLESS STEEL  
 ORING: EPDM

**ELECTRICAL:**

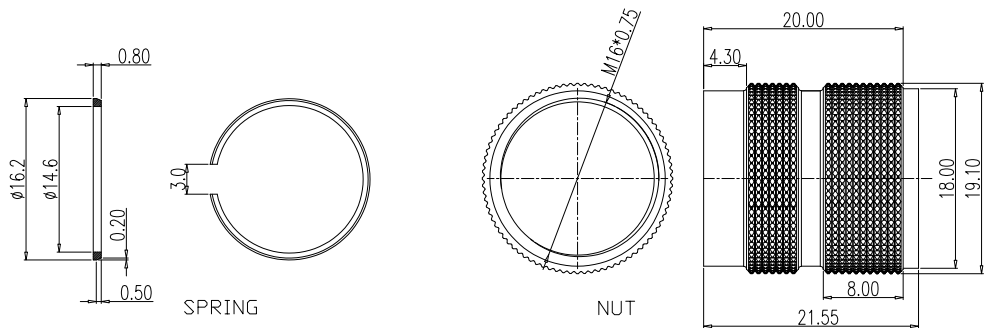
RATED CURRENT: 7A (3,4,5A,5B) // 5A (6,7A,7B,8)  
 RATED VOLTAGE: 250V  
 INSULATION RESISTANCE: 100 MOhms MIN.  
 CONTACT RESISTANCE: 10 mOhms MAX.

**ENVIRONMENT:**

OPERATING TEMPERATURE: -40°C TO +85°C  
 WATER PROOF: IP67

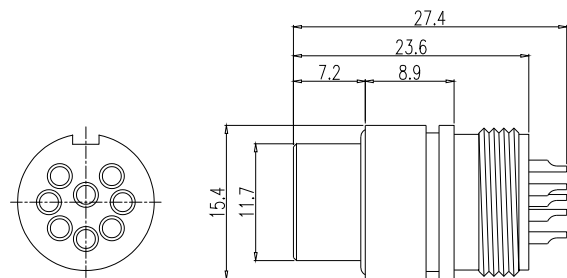
MAX WIRE AWG: 22 AWG

TORQUE: 0.7Nm to 1.5Nm

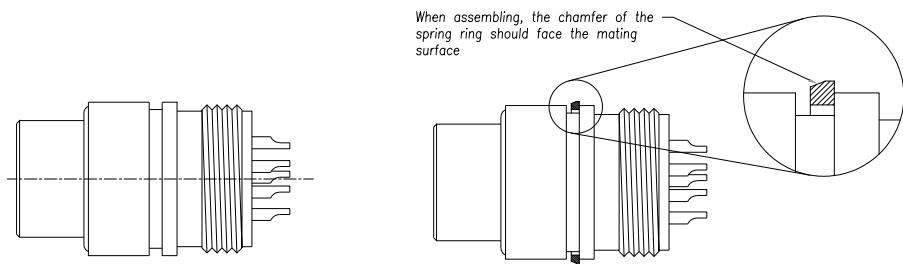


SPRING

NUT



HOUSING & SHELL & CONTACT & O-RING

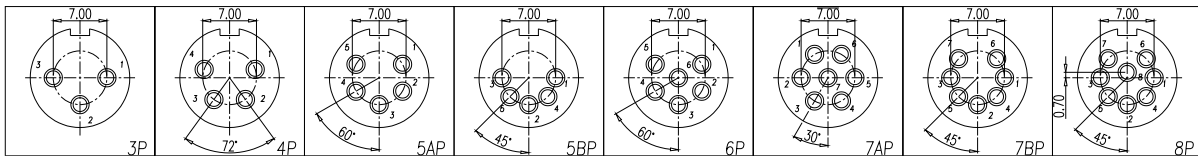


ASSEMBLY

# 878-YYY-203RLS1

POSITIONS (SEE POSITION CHART)

- 003 = 3 POSITION
- 004 = 4 POSITION
- 005A = 5(A) POSITION
- 005B = 5(B) POSITION
- 006 = 6 POSITION
- 007A = 7(A) POSITION
- 007B = 7(B) POSITION
- 008 = 8 POSITION



POSITION CHART (MATING SIDE SHOWN)

**RoHS COMPLIANT**

UNITS = mm

**DO NOT SCALE FROM DRAWING**



THESE DRAWINGS AND SPECIFICATIONS ARE THE PROPERTY OF NorComp AND SHALL NOT BE REPRODUCED, COPIED OR USED AS THE BASIS FOR THE MANUFACTURE OR SALE OF APPARATUS WITHOUT WRITTEN PERMISSION.

DRAWN:

J. KADEL

DATE:

09/05/2023

# NorComp

SCALE: NTS

SHEET 1 OF 1

REV 1

DWG NO.

878-YYY-203RLS1