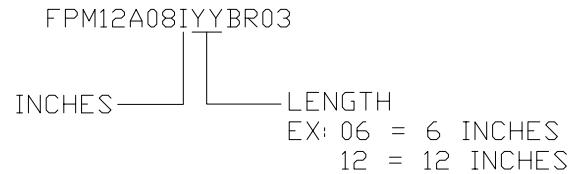


**SEE PAGE 2 FOR CONNECTOR DETAILS

WIRING SCHEMATIC

- PIN
- 1 = WHITE
 - 2 = BROWN
 - 3 = GREEN
 - 4 = YELLOW
 - 5 = GREY
 - 6 = PINK
 - 7 = BLUE
 - 8 = RED



NOTE: PACKAGED 10 PER BAG

Full stainless steel variant successfully passes
96-hour salt spray testing per ASTM B117

RoHS COMPLIANT

UNITS = "as indicated" DO NOT SCALE FROM DRAWING



THESE DRAWINGS AND SPECIFICATIONS ARE THE PROPERTY OF NorComp AND SHALL NOT BE REPRODUCED, COPIED OR USED AS THE BASIS FOR THE MANUFACTURE OR SALE OF APPARATUS WITHOUT WRITTEN PERMISSION.

DRAWN:
G. BROWN
DATE:
01/23/2019

NorComp

SCALE: NTS	SHEET 1	OF 2	REV 3
DWG NO.		FPM12A08IYYBR03	

SPECIFICATIONS:

MATERIALS:

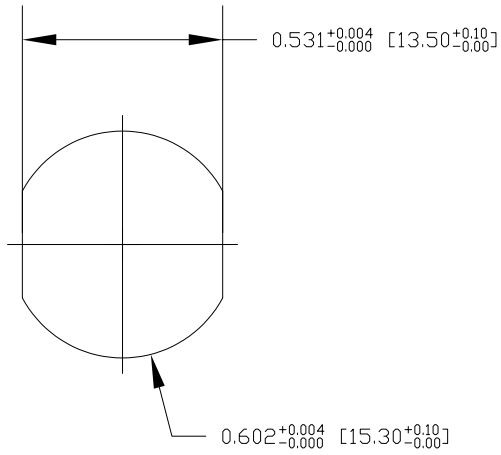
HOUSING: PBT, UL94 V-0, BLACK
 CONTACTS: 10μ" GOLD PLATED BRASS
 NUT: 316 STAINLESS STEEL
 SHELL: 316 STAINLESS STEEL
 ORING: EPDM, BLACK

ELECTRICAL:

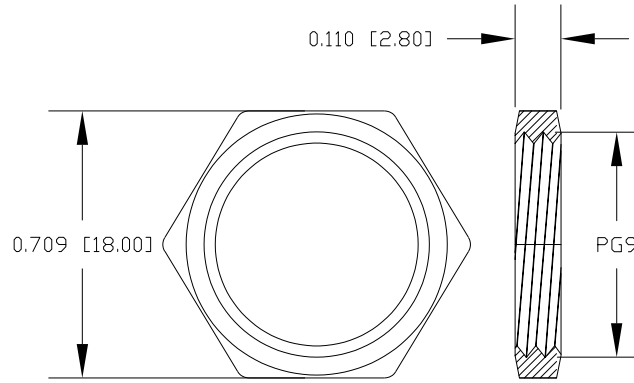
RATED CURRENT: 2A
 RATED VOLTAGE: 30V
 INSULATION RESISTANCE: 100 MOhms MIN.
 CONTACT RESISTANCE: 10 mOhms MAX.

ENVIRONMENT:

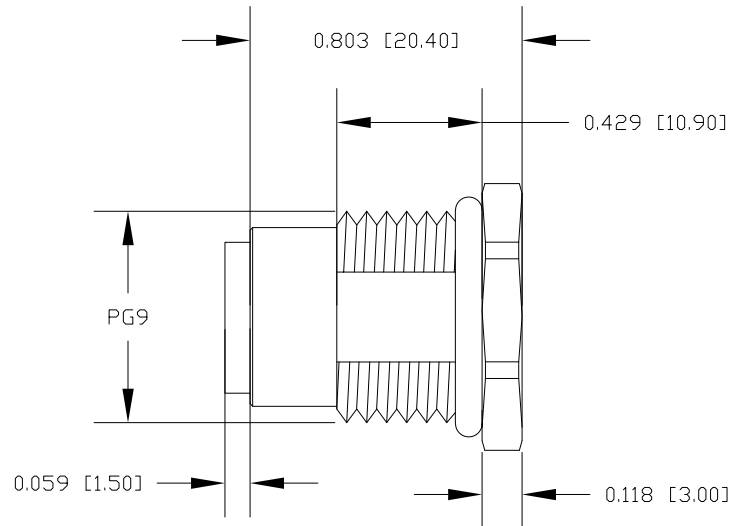
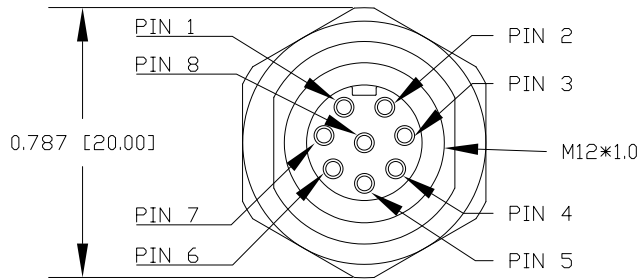
OPERATING TEMPERATURE: -40°C TO +85°C
 WATER PROOF: IP67 / IP68



RECOMMENDED PANEL CUT-OUT



NUT



RoHS COMPLIANT

UNITS = inch [mm]

DO NOT SCALE FROM DRAWING



THESE DRAWINGS AND SPECIFICATIONS ARE THE PROPERTY OF NorComp AND SHALL NOT BE REPRODUCED, COPIED OR USED AS THE BASIS FOR THE MANUFACTURE OR SALE OF APPARATUS WITHOUT WRITTEN PERMISSION.

DRAWN:
G. BROWN
 DATE:
01/23/2019

NorComp

SCALE: NTS	SHEET 2	OF 2	REV 3
DWG NO.		FPM12A08IYYBR03	