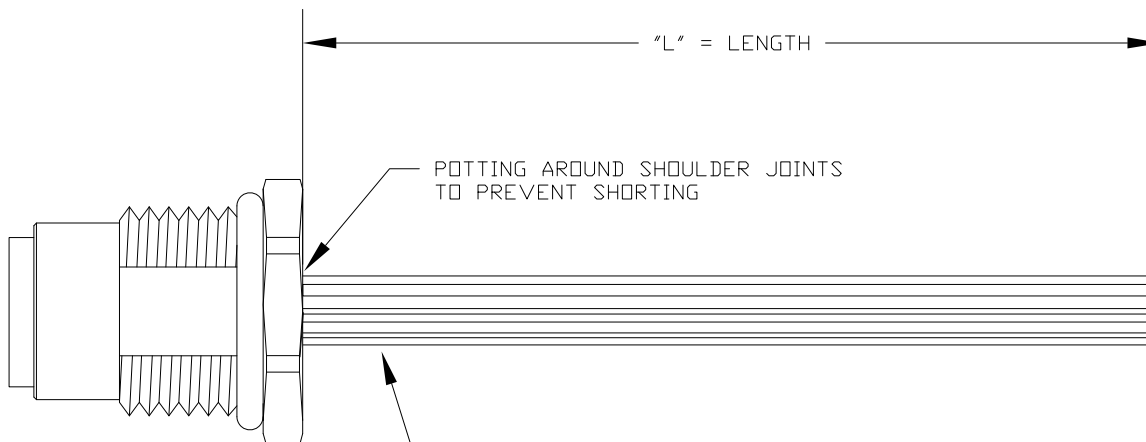
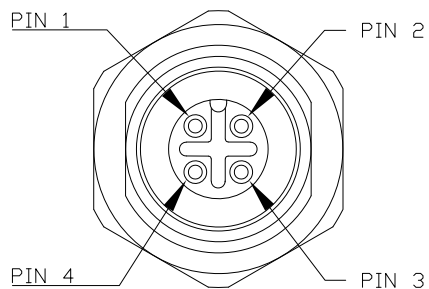


DESCRIPTION: M12 4 POSITION BRASS FEMALE PIGTAIL



CONNECTOR: 859S004-203RRM4

POTTING AROUND SHOULDER JOINTS TO PREVENT SHORTING

24 AWG (7X32) HOOKUP WIRE, UL 1007 (COLORS AS STATED IN SCHEMATIC BELOW)

\*\*SEE PAGE 2 FOR DETAILS

WIRING SCHEMATIC

| 1         | 2         |
|-----------|-----------|
| PIN       | PIN       |
| 1 = BROWN | 1 = RED   |
| 2 = WHITE | 2 = GREEN |
| 3 = BLUE  | 3 = BLACK |
| 4 = BLACK | 4 = WHITE |

FPM12A04IYYCR0Y  
 INCHES ————  
 01 = WIRING SCHEMATIC 1  
 02 = WIRING SCHEMATIC 2  
 LENGTH  
 EX: 06 = 6 INCHES  
 12 = 12 INCHES

NOTE: PACKAGED 10 PER BAG

RoHS COMPLIANT

UNITS IN INCHES [MM] DO NOT SCALE FROM DRAWING



THESE DRAWINGS AND SPECIFICATIONS ARE THE PROPERTY OF NorComp AND SHALL NOT BE REPRODUCED, COPIED OR USED AS THE BASIS FOR THE MANUFACTURE OR SALE OF APPARATUS WITHOUT WRITTEN PERMISSION.

DRAWN:  
G. BROWN

DATE:  
01/23/2019

NorComp

SCALE:  
NTS

SHEET OF  
1 OF 2

REV  
3

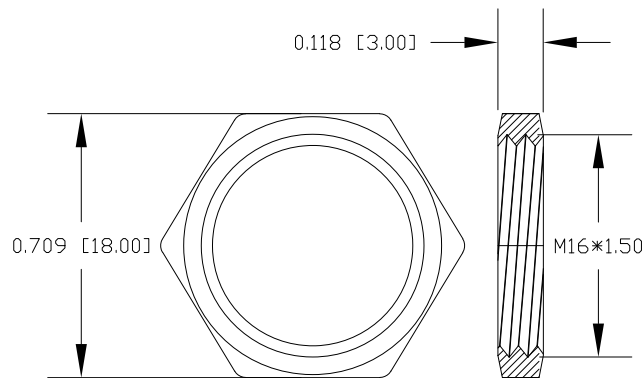
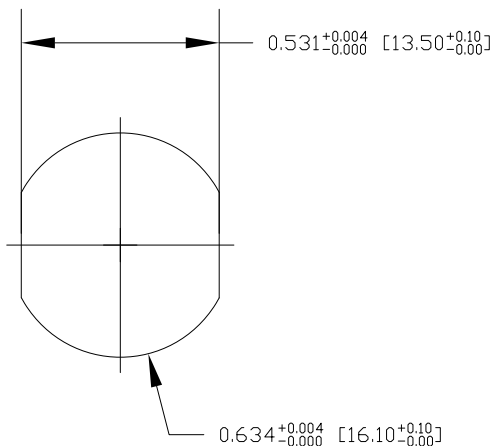
DWG NO.

FPM12A04IYYCR0Y

DESCRIPTION: M12 4 POSITION BRASS FEMALE PIGTAIL

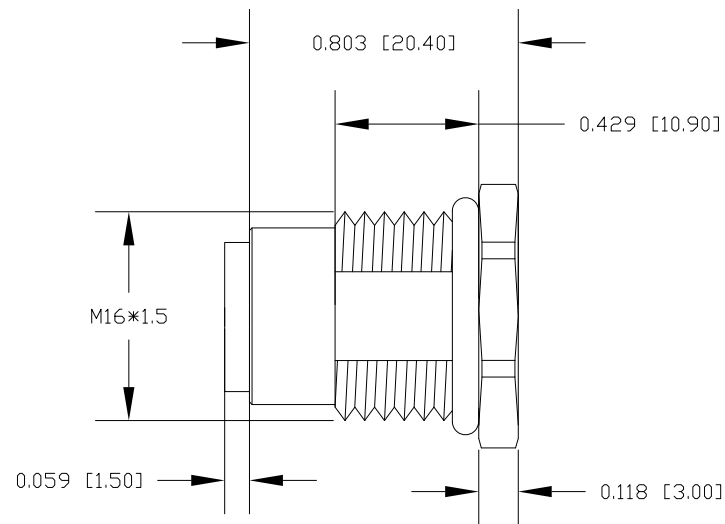
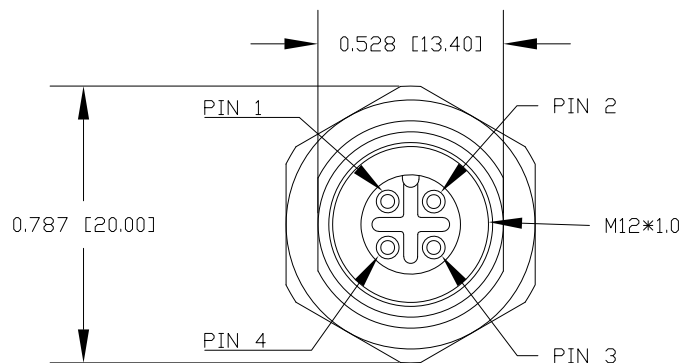
NOTE:

|                        |                        |
|------------------------|------------------------|
| MATERIAL               | PBT UL94V-0, BLACK     |
| HOUSING:               | BRASS                  |
| CONTACT:               | BRASS                  |
| NUT:                   | BRASS                  |
| SHELL:                 | BRASS                  |
| O-RING:                | EPDM, BLACK            |
| FINISH                 |                        |
| CONTACT:               | GOLD PLATED, 10μ" Min. |
| UNDER PLATE:           | NICKEL                 |
| NUT:                   | NICKEL PLATED          |
| SHELL:                 | NICKEL PLATED          |
| ELECTRICAL             |                        |
| RATED CURRENT:         | 4A                     |
| RATED VOLTAGE:         | 250V                   |
| INSULATION RESISTANCE: | 100MΩ MIN              |
| CONTACT RESISTANCE:    | 10mΩ MAX               |
| WATER PROOF:           | IP67/68                |
| ENVIRONMENT            |                        |
| OPERATION TEMPERATURE: | -40°C ~ +85°C          |



NUT

RECOMMENDED PANEL CUT-OUT



RoHS COMPLIANT

UNITS IN INCHES [MM] DO NOT SCALE FROM DRAWING



THESE DRAWINGS AND SPECIFICATIONS ARE THE PROPERTY OF NorComp AND SHALL NOT BE REPRODUCED, COPIED OR USED AS THE BASIS FOR THE MANUFACTURE OR SALE OF APPARATUS WITHOUT WRITTEN PERMISSION.

DRAWN:  
**G. BROWN**  
DATE:  
01/23/2019

NorComp

|               |            |                 |          |
|---------------|------------|-----------------|----------|
| SCALE:<br>NTS | SHEET<br>2 | OF<br>2         | REV<br>3 |
| DWG NO.       |            | FPM12A04IYYCR0Y |          |