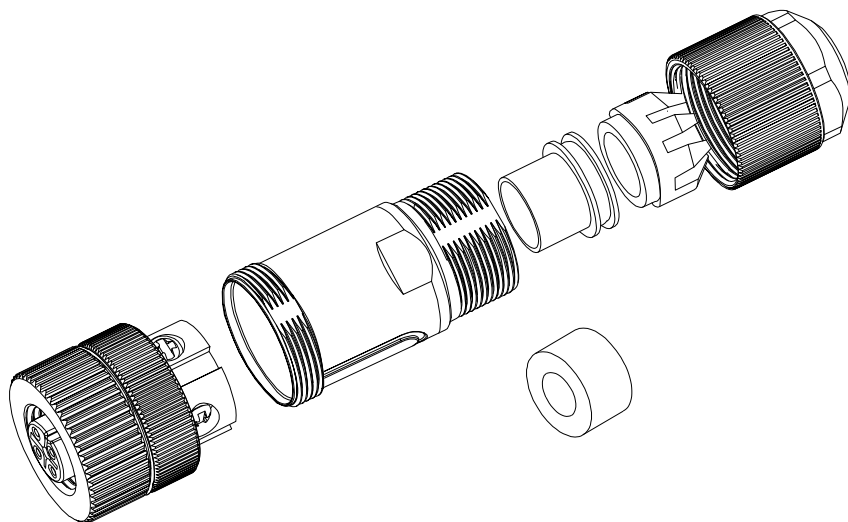
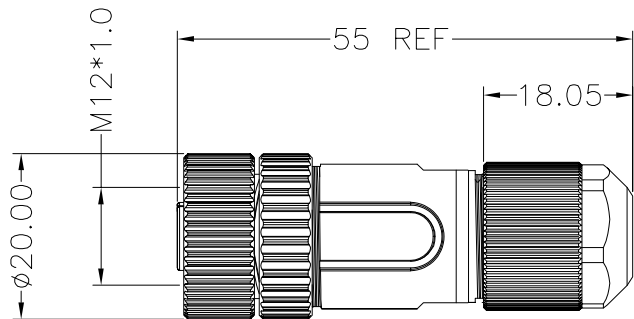


DESCRIPTION: M12 // FIELD INSTALLABLE // FEMALE // SHIELDED // 4-8mm CABLE OD



FEMALE

A04	A05	A08	D04	B05

**SPECIFICATIONS:**

**MATERIALS:**

M12 INSULATOR: PA66, UL94V-0, BLACK  
 CONTACT: GOLD FLASH PLATED BRASS  
 NUT & SHELL: NICKEL PLATED BRASS

**ELECTRICAL:**

RATED CURRENT: 2A(8P) / 4A(4/5P)  
 VOLTAGE: 30V(8P) / 60V(5P) / 250V(4P)  
 INSULATION RESISTANCE: 100 MOhms MIN.  
 CONTACT RESISTANCE: 10 mOhms MAX.  
 MATING CYCLES: 100 CYCLES MIN.

**ENVIRONMENT:**

OPERATING TEMPERATURE: -40°C TO +85°C  
 IP RATING: IP67

RECOMMENDED TORQUE: 0.4Nm TO 0.8Nm  
 MAX WIRE AWG: 22

**858FYYY-203RCS1**

SERIES \_\_\_\_\_  
 858F = M12 FIELD INSTALLABLE  
 CONTACT ARRANGEMENT \_\_\_\_\_  
 A04 = 4P A-CODE  
 A05 = 5P A-CODE  
 A08 = 8P A-CODE  
 D04 = 4P D-CODE  
 B05 = 5P B-CODE  
 GENDER \_\_\_\_\_  
 2 = FEMALE  
 CABLE OD \_\_\_\_\_  
 C = 4mm-8mm OD  
 CONTACT PLATING \_\_\_\_\_  
 1 = GOLD FLASH

**RoHS COMPLIANT**



THESE DRAWINGS AND SPECIFICATIONS ARE THE PROPERTY OF NorComp AND SHALL NOT BE REPRODUCED, COPIED OR USED AS THE BASIS FOR THE MANUFACTURE OR SALE OF APPARATUS WITHOUT WRITTEN PERMISSION.

DRAWN: J. KADEL  
 DATE: 02/04/2022

UNITS = mm

**DO NOT SCALE FROM DRAWING**

**NorComp**

SCALE: NTS SHEET 1 OF 1 REV 1

DWG NO. 858FYYY-203RCS1