

SPECIFICATIONS:

MATERIALS:

M12 INSULATOR: PA66, UL94V-0, BLACK
 CABLE NUT/GROMMET/SHELL: PA66, UL94V-0, BLACK
 CONTACT: GOLD FLASH PLATED BRASS
 MATING NUT: NICKEL PLATED BRASS

ELECTRICAL:

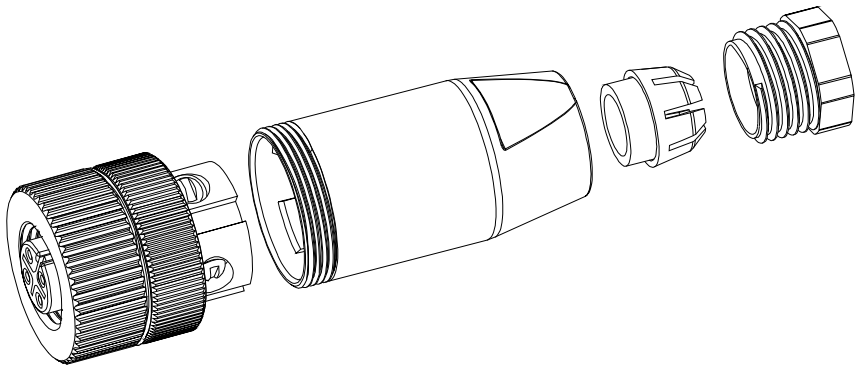
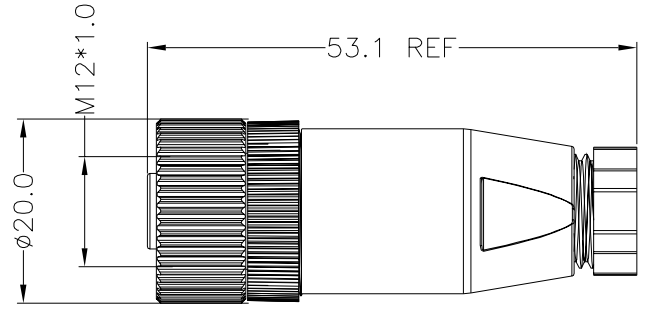
RATED CURRENT: 2A(8P) / 4A(4/5P)
 VOLTAGE: 30V(8P) / 60V(5P) / 250V(4P)
 INSULATION RESISTANCE: 100 MOhms MIN.
 CONTACT RESISTANCE: 10 mOhms MAX.
 MATING CYCLES: 100 CYCLES MIN.

ENVIRONMENT:

OPERATING TEMPERATURE: -40°C TO +85°C
 IP RATING: IP66

RECOMMENDED TORQUE: 0.4Nm TO 0.8Nm

MAX WIRE AWG: 22



FEMALE

A04	A05	A08	D04	B05

858FYYY-203RAU1

SERIES _____
 CONTACT ARRANGEMENT _____
 GENDER _____
 CABLE OD _____
 CONTACT PLATING _____

858F = M12 FIELD INSTALLABLE
 A04 = 4P A-CODE
 A05 = 5P A-CODE
 A08 = 8P A-CODE
 D04 = 4P D-CODE
 B05 = 5P B-CODE
 2 = FEMALE
 A = 4mm-6mm OD
 1 = GOLD FLASH

RoHS COMPLIANT



THESE DRAWINGS AND SPECIFICATIONS ARE THE PROPERTY OF NorComp AND SHALL NOT BE REPRODUCED, COPIED OR USED AS THE BASIS FOR THE MANUFACTURE OR SALE OF APPARATUS WITHOUT WRITTEN PERMISSION.

DRAWN: J. KADEL
 DATE: 02/04/2022

UNITS = mm

DO NOT SCALE FROM DRAWING



SCALE: NTS	SHEET 1 OF 1	REV 2
DWG NO. 858FYYY-203RAU1		