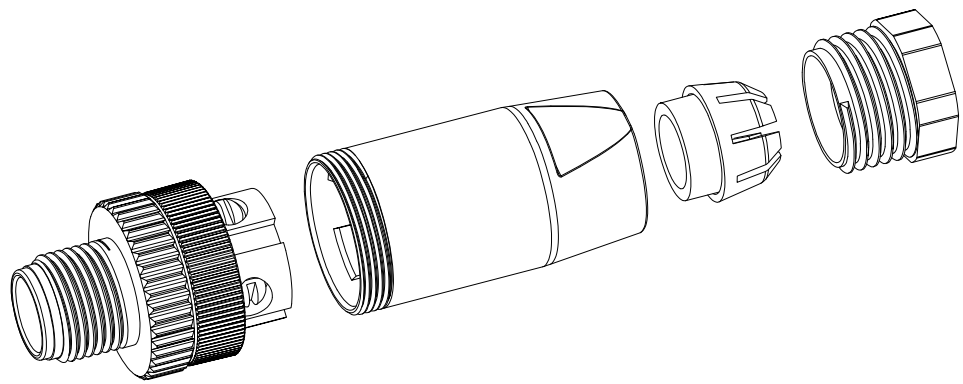
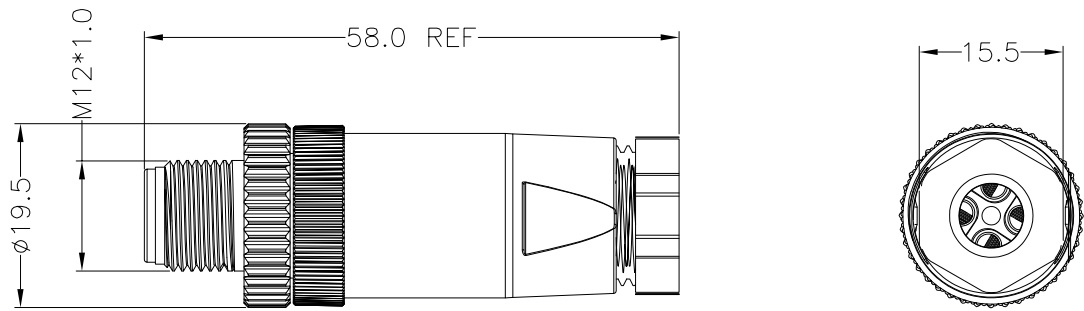


DESCRIPTION: M12 // FIELD INSTALLABLE // MALE // UNSHIELDED // 6-8mm CABLE OD



SPECIFICATIONS:

MATERIALS:

M12 INSULATOR: PA66, UL94V-0, BLACK
 CABLE NUT/GROMMET/SHELL: PA66, UL94V-0, BLACK
 CONTACT: GOLD FLASH PLATED BRASS
 MATING NUT: NICKEL PLATED BRASS

ELECTRICAL:

RATED CURRENT: 2A(8P) / 4A(4/5P)
 VOLTAGE: 30V(8P) / 60V(5P) / 250V(4P)
 INSULATION RESISTANCE: 100 MOhms MIN.
 CONTACT RESISTANCE: 10 mOhms MAX.
 MATING CYCLES: 100 CYCLES MIN.

ENVIRONMENT:

OPERATING TEMPERATURE: -40°C TO +85°C
 IP RATING: IP66

RECOMMENDED TORQUE: 0.4Nm TO 0.8Nm
 MAX WIRE AWG: 22

MALE

| | | | | |
|-----|-----|-----|-----|-----|
| | | | | |
| A04 | A05 | A08 | D04 | B05 |

858FYYY-103RBU1

SERIES _____
 858F = M12 FIELD INSTALLABLE
 CONTACT ARRANGEMENT _____
 A04 = 4P A-CODE
 A05 = 5P A-CODE
 A08 = 8P A-CODE
 D04 = 4P D-CODE
 B05 = 5P B-CODE
 GENDER _____
 1 = MALE
 CABLE OD _____
 B = 6mm-8mm OD
 CONTACT PLATING _____
 1 = GOLD FLASH

RoHS COMPLIANT

UNITS = mm

DO NOT SCALE FROM DRAWING



THESE DRAWINGS AND SPECIFICATIONS ARE THE PROPERTY OF NorComp AND SHALL NOT BE REPRODUCED, COPIED OR USED AS THE BASIS FOR THE MANUFACTURE OR SALE OF APPARATUS WITHOUT WRITTEN PERMISSION.

DRAWN: J. KADEL
 DATE: 02/04/2022

NorComp

| | | |
|-------------------------|--------------|-------|
| SCALE: NTS | SHEET 1 OF 1 | REV 3 |
| DWG NO. 858FYYY-103RBU1 | | |