

SPECIFICATIONS:

MATERIALS:

M12 INSULATOR:	PA66, UL94 V-0, BLACK
M12 CONTACTS:	GOLD FLASH PLATED BRASS
RJ45 CONTACTS:	GOLD FLASH PLATED BRASS
M12 SHELL & NUT:	NICKEL PLATED BRASS
RJ45 SHIELD:	NICKEL PLATED BRASS
ORING:	FKM

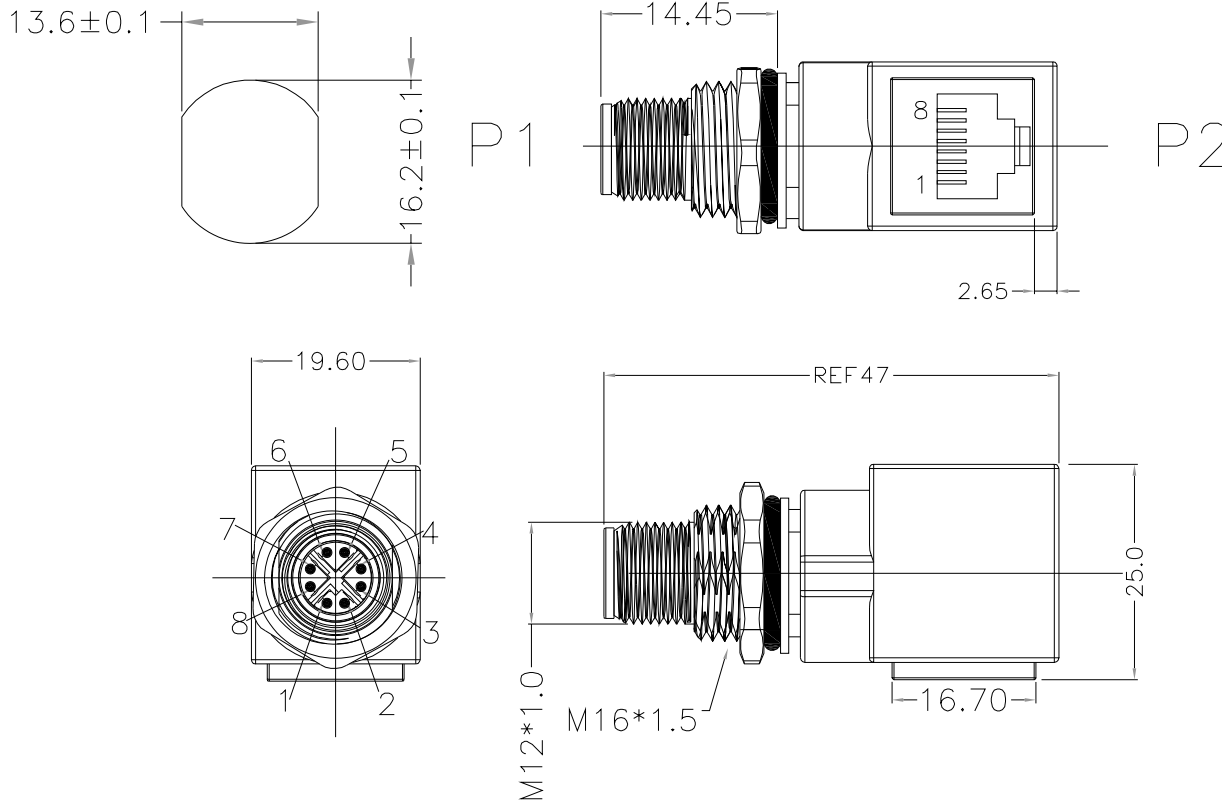
ELECTRICAL:

RATED CURRENT:	0.5A
RATED VOLTAGE:	50V
INSULATION RESISTANCE:	100 MOhms MIN.
CONTACT RESISTANCE:	10 mOhms MAX.
MATING CYCLES:	100 CYCLES MIN

ENVIRONMENT:

OPERATING TEMPERATURE:	-40°C TO +85°C
WATER PROOF:	IP67 (COUPLED)

TORQUE: 0.4-1.8 NM



P1	PAIR	COLOR	P2
1	X X	WHITE/ORANGE	1
2		ORANGE	2
3	X X	WHITE/GREEN	3
4		GREEN	6
5	X X	WHITE/BROWN	7
6		BROWN	8
7	X X	WHITE/BLUE	5
8		BLUE	4
SHELL		BLACK	SHELL

RoHS COMPLIANT

UNITS = mm

DO NOT SCALE FROM DRAWING



THESE DRAWINGS AND SPECIFICATIONS ARE THE PROPERTY OF NorComp AND SHALL NOT BE REPRODUCED, COPIED OR USED AS THE BASIS FOR THE MANUFACTURE OR SALE OF APPARATUS WITHOUT WRITTEN PERMISSION.

DRAWN:

J. KADEL

DATE:

01/12/2024

TOLERANCES ARE:

DECIMALES	ANGLES
.X±0.50	.° ±2.0°
.XX±0.20	.° ±1.0°

NorComp

SCALE:

NTS

SHEET

OF

1

1

REV

1

DWG NO.

RJM12MX08RA001