

DESCRIPTION: M12 8P FEMALE X-CODE TO RIGHT ANGLE FEMALE RJ45

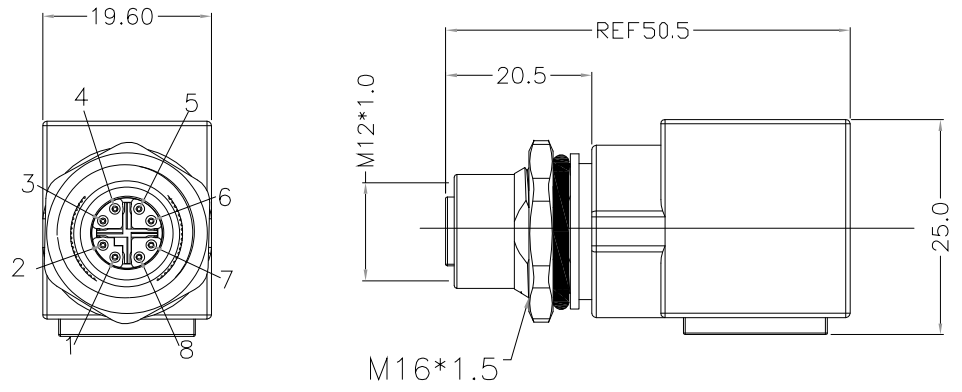
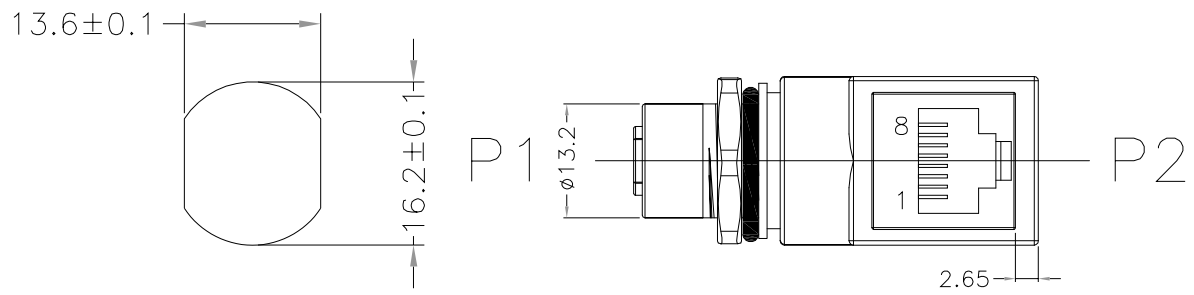
SPECIFICATIONS:

MATERIALS:
 M12 INSULATOR: PA66, UL94 V-0, BLACK
 M12 CONTACTS: GOLD FLASH PLATED BRASS
 RJ45 CONTACTS: GOLD FLASH PLATED BRASS
 M12 SHELL & NUT: NICKEL PLATED BRASS
 RJ45 SHIELD: NICKEL PLATED BRASS
 ORING: FKM

ELECTRICAL:
 RATED CURRENT: 0.5A
 RATED VOLTAGE: 50V
 INSULATION RESISTANCE: 100 MOhms MIN.
 CONTACT RESISTANCE: 10 mOhms MAX.
 MATING CYCLES: 100 CYCLES MIN

ENVIRONMENT:
 OPERATING TEMPERATURE: -40°C TO +85°C
 WATER PROOF: IP67 (COUPLED)

TORQUE: 0.4-1.8 NM



P1	PAIR	COLOR	P2
1	XX	WHITE/ORANGE	1
2		ORANGE	2
3	XX	WHITE/GREEN	3
4		GREEN	6
5	XX	WHITE/BROWN	7
6		BROWN	8
7	XX	WHITE/BLUE	5
8		BLUE	4
SHELL		BLACK	SHELL

RoHS COMPLIANT

UNITS = mm

DO NOT SCALE FROM DRAWING

NC THESE DRAWINGS AND SPECIFICATIONS ARE THE PROPERTY OF NorComp AND SHALL NOT BE REPRODUCED, COPIED OR USED AS THE BASIS FOR THE MANUFACTURE OR SALE OF APPARATUS WITHOUT WRITTEN PERMISSION.

DRAWN: J. KADEL
 DATE: 01/12/2024

TOLERANCES ARE:
 DECIMALES ANGLES
 .x±0.50 x.' ±2.0'
 .xx±0.20 .x' ±1.0'

NorComp

SCALE: NTS SHEET 1 OF 1 REV 1
 DWG NO. RJM12FX08RA001