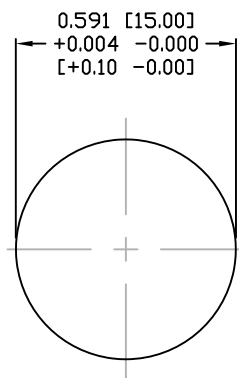
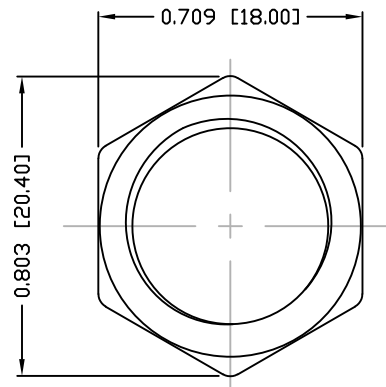


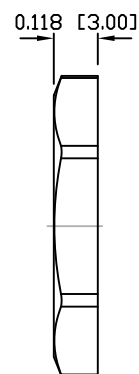
DESCRIPTION: M12 FEMALE - RIGHT ANGLE - 4 POS.



PANEL CUTOUT



NUT



NOTE:

MATERIAL

HOUSING: PBT UL94V-0, BLACK
 CONTACT: BRASS
 NUT: BRASS
 O-RING: EPDM, BLACK
 BACK HOUSING: PBT, UL94V-0, BLACK
 DOWN HOUSING: PBT, UL94V-0, BLACK

FINISH

CONTACT: GOLD PLATED
 UNDER PLATE: NICKEL
 SHELL: STAIN NICKEL
 (80-100µ") OVER ALL

ELECTRICAL

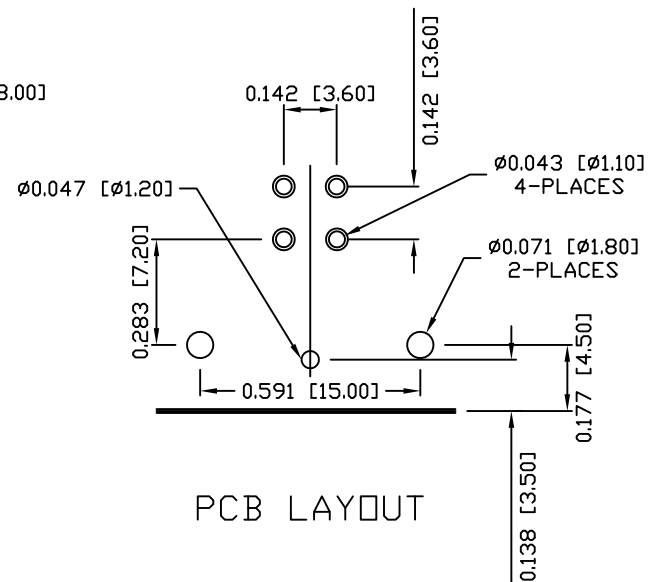
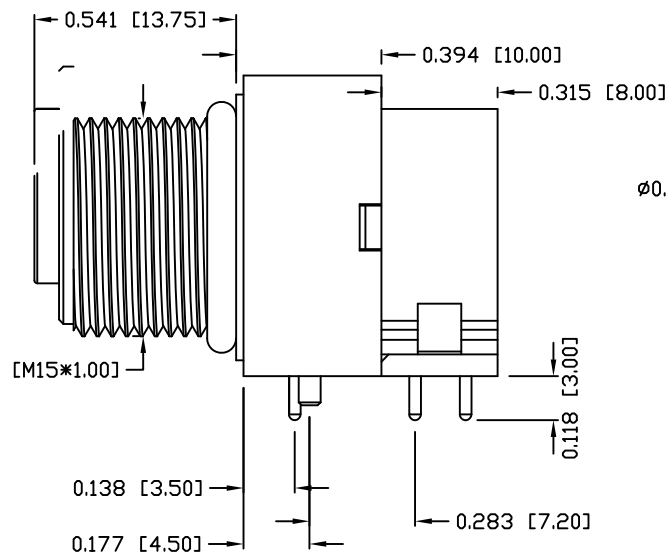
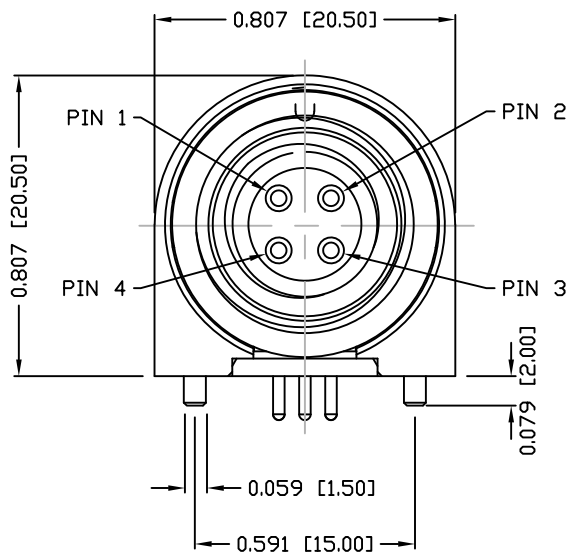
RATED CURRENT: 4A
 RATED VOLTAGE: 250V
 INSULATION RESISTANCE: 100 MΩhms MIN.
 CONTACT RESISTANCE: 10 mΩhms MAX.
 WATER PROOF: IP67

ENVIRONMENT

OPERATION TEMPERATURE: -40°C TO +85°C

861-004-213R00Y

3 = BRASS/NICKEL SHELL & NUT
 S = STAINLESS STEEL SHELL & NUT
 1 = GOLD FLASH
 4 = 10µ" GOLD



PCB LAYOUT

RoHS COMPLIANT

UNITS = INCHES [MM]

DO NOT SCALE FROM DRAWING



THESE DRAWINGS AND SPECIFICATIONS ARE THE PROPERTY OF NorComp AND SHALL NOT BE REPRODUCED, COPIED OR USED AS THE BASIS FOR THE MANUFACTURE OR SALE OF APPARATUS WITHOUT WRITTEN PERMISSION.

DRAWN:

M. SIGMON

DATE:

03-07-16

NorComp

SCALE:

NTS

SHEET

1

OF

1

REV

3

DWG NO.

861-004-213R00Y