

**SPECIFICATIONS:**

**MATERIALS:**

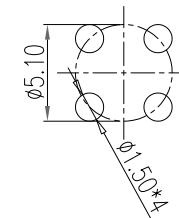
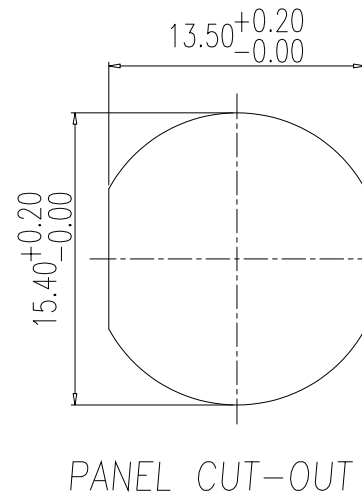
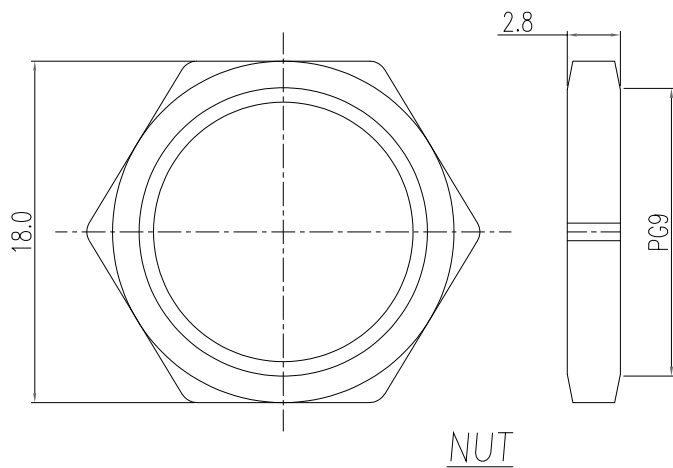
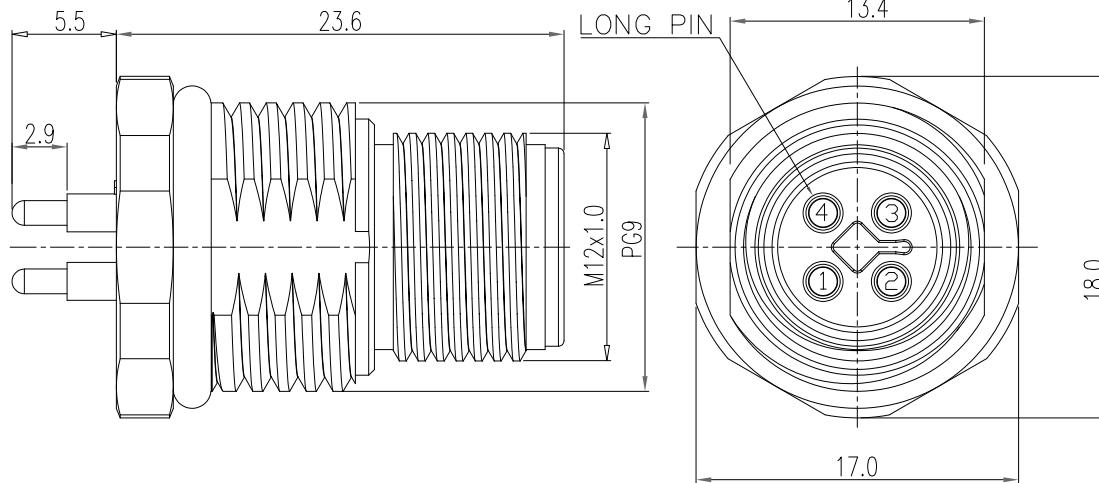
HOUSING: PA66, UL94 V-0, BLACK  
 CONTACTS: 10u" GOLD PLATED BRASS  
 NUT: NICKEL PLATED BRASS  
 SHELL: NICKEL PLATED BRASS  
 ORING: EPDM

**ELECTRICAL:**

RATED CURRENT: 12A  
 RATED VOLTAGE: 63V  
 INSULATION RESISTANCE: 100 MOhms MIN.  
 CONTACT RESISTANCE: 10 mOhms MAX.

**ENVIRONMENT:**

OPERATING TEMPERATURE: -40°C TO +105°C  
 WATER PROOF: IP67



RoHS COMPLIANT

UNITS = mm

DO NOT SCALE FROM DRAWING



THESE DRAWINGS AND SPECIFICATIONS ARE THE PROPERTY OF NorComp AND SHALL NOT BE REPRODUCED, COPIED OR USED AS THE BASIS FOR THE MANUFACTURE OR SALE OF APPARATUS WITHOUT WRITTEN PERMISSION.

DRAWN:

J. KADEL

DATE:

08/14/2024

NorComp

SCALE:

NTS

SHEET

OF

1

1

REV

0

DWG NO.

860-T04-113R004