

DESCRIPTION: M12 MALE - BOARD MOUNT - 8 POS.

**SPECIFICATIONS:**

**MATERIALS:**

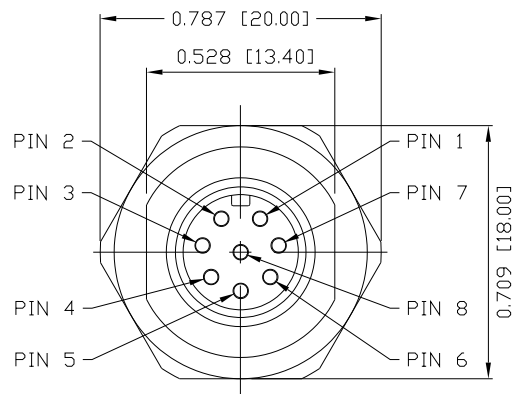
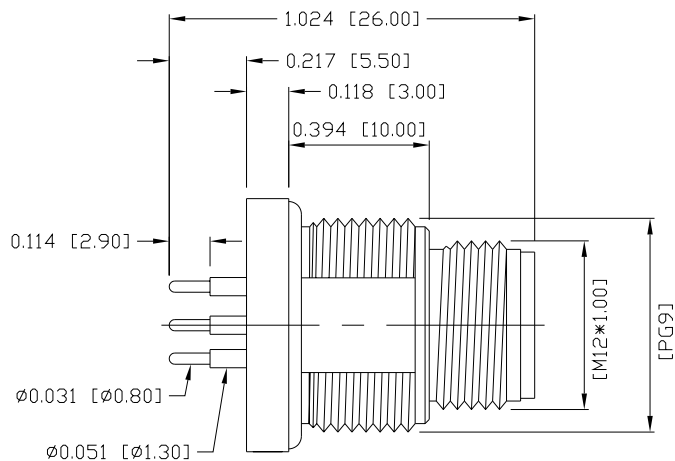
HOUSING: PBT, UL94 V-0, BLACK  
 CONTACTS: GOLD PLATED BRASS (SEE P/N KEY BELOW)  
 NUT: (SEE P/N KEY BELOW)  
 SHELL: (SEE P/N KEY BELOW)  
 ORING: EPDM, BLACK

**ELECTRICAL:**

RATED CURRENT: 2A  
 RATED VOLTAGE: 30V  
 INSULATION RESISTANCE: 100 MOhms MIN.  
 CONTACT RESISTANCE: 10 mOhms MAX.

**ENVIRONMENT:**

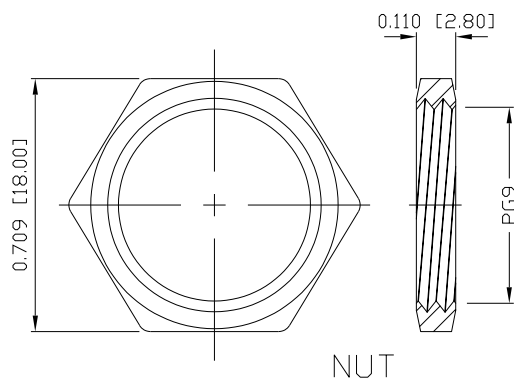
OPERATING TEMPERATURE: -40°C TO +85°C  
 WATER PROOF: IP67



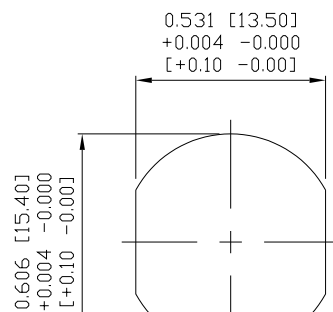
**860-008-113R00Y**

3 = BRASS/NICKEL SHELL & NUT  
 S = STAINLESS STEEL SHELL & NUT

1 = GOLD FLASH  
 4 = 10µ" GOLD

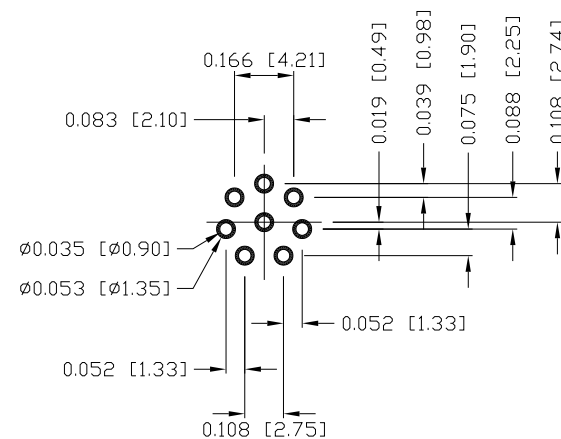


NUT



PANEL CUTOUT

Full stainless steel variant successfully passes 96-hour salt spray testing per ASTM B117



PCB LAYOUT

RoHS COMPLIANT

UNITS = inch [mm]

DO NOT SCALE FROM DRAWING



THESE DRAWINGS AND SPECIFICATIONS ARE THE PROPERTY OF NorComp AND SHALL NOT BE REPRODUCED, COPIED OR USED AS THE BASIS FOR THE MANUFACTURE OR SALE OF APPARATUS WITHOUT WRITTEN PERMISSION.

DRAWN: M. SIGMON

DATE: 09/05/2014

NorComp

SCALE: NTS

SHEET 1 OF 1

REV 6

DWG NO.

860-008-113R00Y