

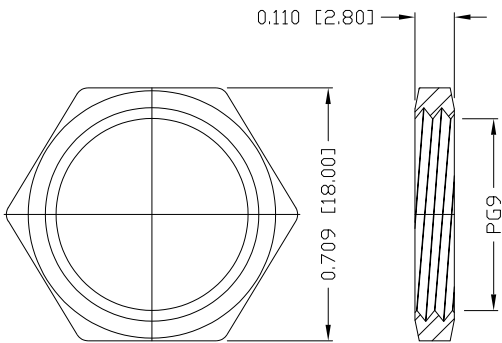
SPECIFICATIONS:

MATERIALS:
 HOUSING: PA66, UL94 V-0, BLACK
 CONTACTS: GOLD PLATED BRASS (SEE P/N KEY BELOW)
 NUT: (SEE P/N KEY BELOW)
 SHELL: (SEE P/N KEY BELOW)
 X-SHELL: NICKEL PLATED ZINC ALLOY
 ORING: EPDM, BLACK

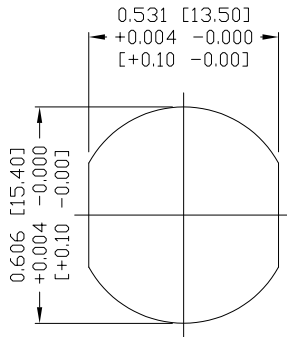
ELECTRICAL:
 RATED CURRENT: 0.5A
 RATED VOLTAGE: 50VAC/60VDC
 INSULATION RESISTANCE: 100 MOhms MIN.
 CONTACT RESISTANCE: 10 mOhms MAX.

ENVIRONMENT:
 OPERATING TEMPERATURE: -40°C TO +85°C
 WATER PROOF: IP67

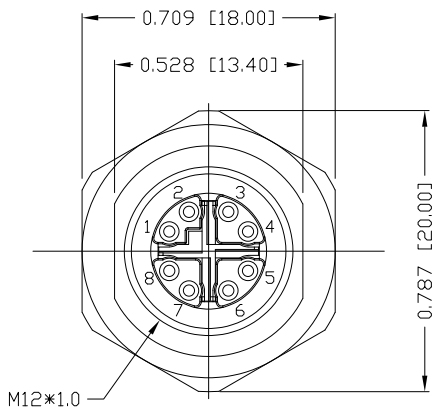
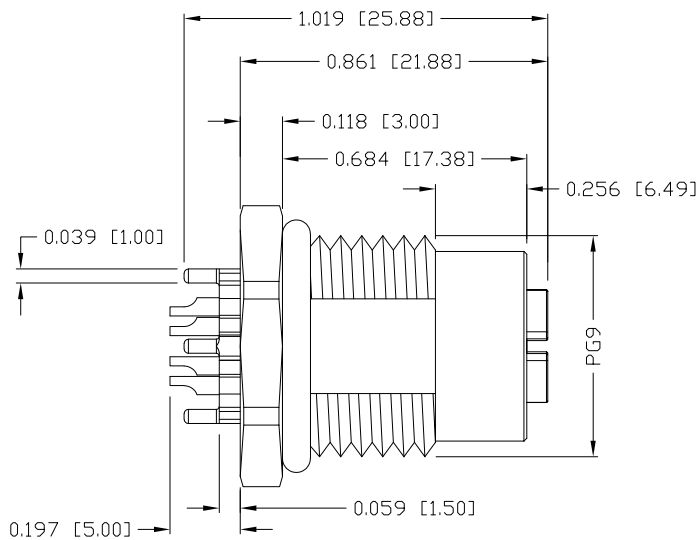
MAX WIRE AWG: 24



NUT



RECOMMEND PANEL CUT-OUT



859-X08-203R004

3 = BRASS/NICKEL SHELL & NUT
 S = STAINLESS STEEL SHELL & NUT
 1 = GOLD FLASH
 4 = 10µ" GOLD

Full stainless steel variant successfully passes 96-hour salt spray testing per ASTM B117

RoHS COMPLIANT

UNITS = inch [mm] **DO NOT SCALE FROM DRAWING**

	THESE DRAWINGS AND SPECIFICATIONS ARE THE PROPERTY OF NorComp AND SHALL NOT BE REPRODUCED, COPIED OR USED AS THE BASIS FOR THE MANUFACTURE OR SALE OF APPARATUS WITHOUT WRITTEN PERMISSION.	DRAWN: M. SIGMON
		DATE: 04/24/2017

	SCALE: NTS	SHEET 1 OF 1	REV 7
	DWG NO. 859-X08-203R004		