

SPECIFICATIONS:

MATERIALS:

HOUSING: PA66, UL94 V-0, BLACK
 CONTACTS: 10u" GOLD PLATED BRASS
 NUT: NICKEL PLATED BRASS
 SHELL: NICKEL PLATED BRASS
 ORING: EPDM

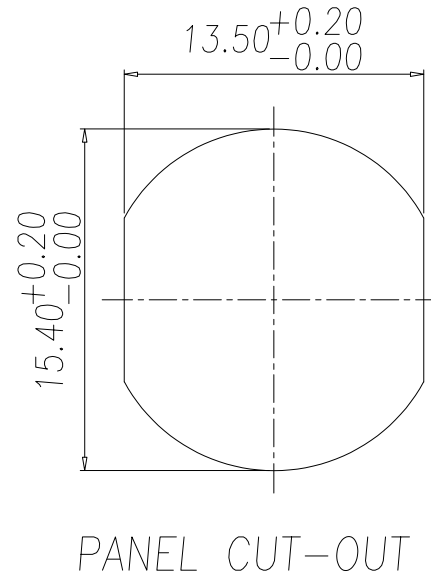
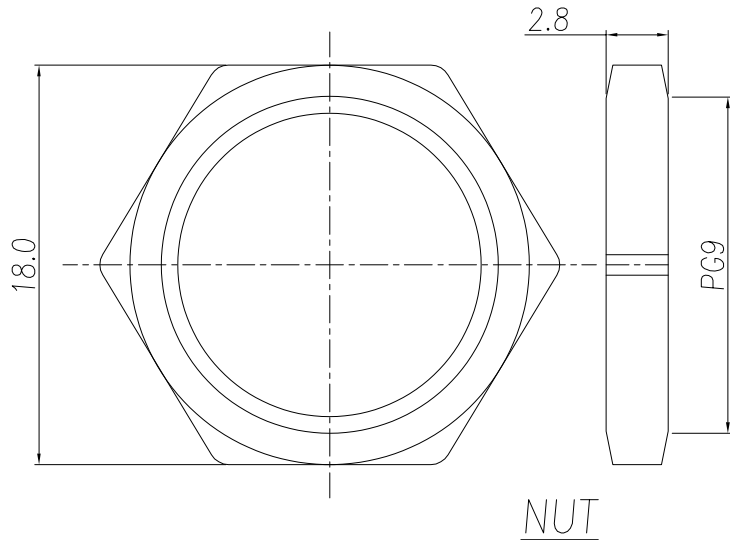
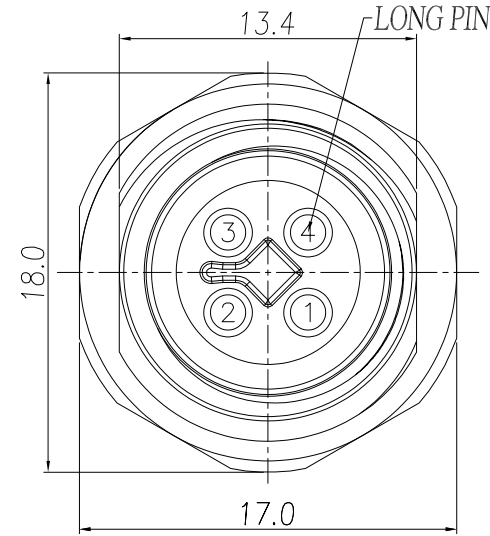
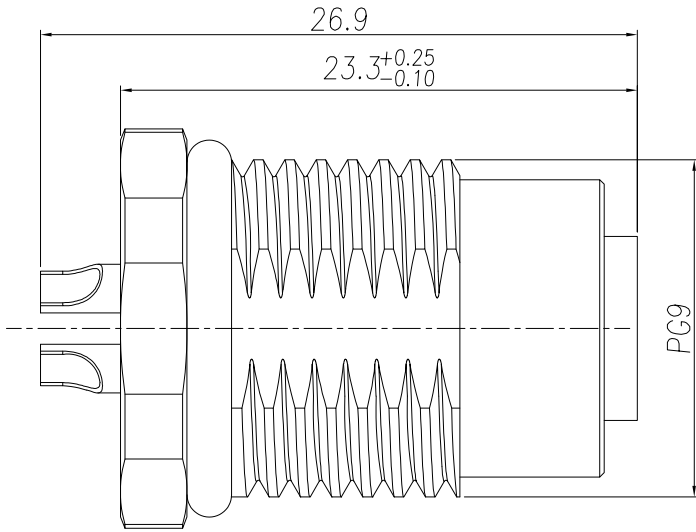
ELECTRICAL:

RATED CURRENT: 12A
 RATED VOLTAGE: 63V
 INSULATION RESISTANCE: 100 MOhms MIN.
 CONTACT RESISTANCE: 10 mOhms MAX.

ENVIRONMENT:

OPERATING TEMPERATURE: -40°C TO +105°C
 WATER PROOF: IP67

MAX WIRE AWG: 16 AWG MAX



RoHS COMPLIANT

UNITS = mm

DO NOT SCALE FROM DRAWING



THESE DRAWINGS AND SPECIFICATIONS ARE THE PROPERTY OF NorComp AND SHALL NOT BE REPRODUCED, COPIED OR USED AS THE BASIS FOR THE MANUFACTURE OR SALE OF APPARATUS WITHOUT WRITTEN PERMISSION.

DRAWN:
 J. KADEL

DATE:
 02/15/2023

NorComp

SCALE:
 NTS

SHEET 1 OF 1

REV 1

DWG NO.

859-T04-203R004