

SPECIFICATIONS:

MATERIALS:

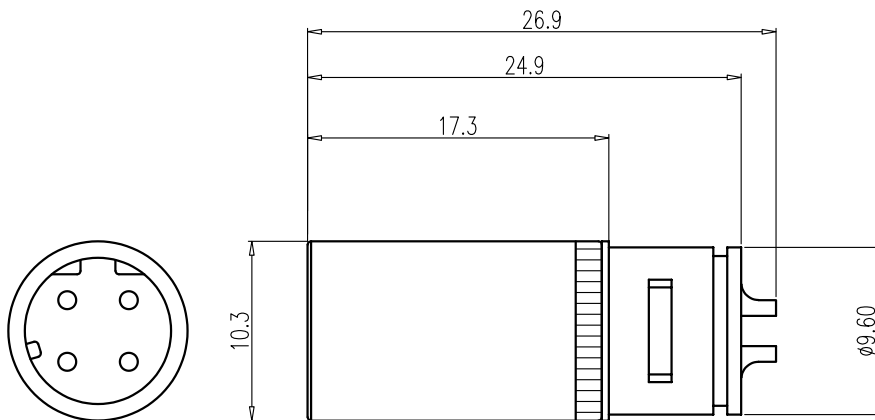
HOUSING: PA66, UL94 V-0, BLACK
 CONTACTS: 10u" GOLD PLATED BRASS
 NUT: NICKEL PLATED BRASS
 SHELL: NICKEL PLATED BRASS

ELECTRICAL:

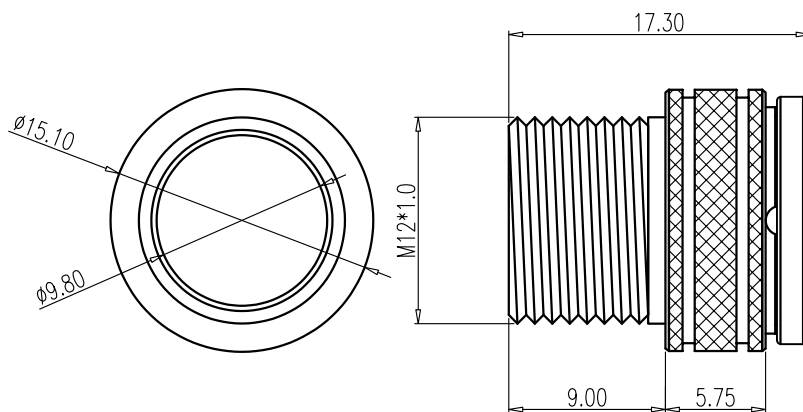
RATED CURRENT: 4A
 RATED VOLTAGE: 250V
 INSULATION RESISTANCE: 100 MOhms
 CONTACT RESISTANCE: 10 mOhms
 MAX WIRE AWG: 22

ENVIRONMENT:

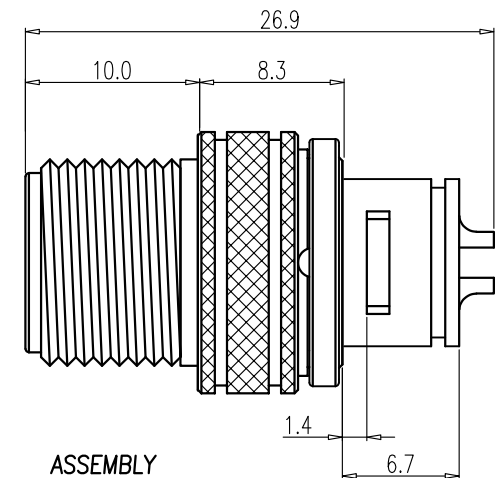
OPERATING TEMPERATURE: -40°C TO +85°C
 WATER PROOF: IP67



HOUSING & SHELL



NUT & ANTI-VIBRATION DETENT



ASSEMBLY

PLEASE NOTE THAT THE ANTI-VIBRATION DETENT IS MADE FROM PLASTIC AND IS NOT DESIGNED TO WITHSTAND MATING AND UN-MATING CYCLING; THIS WILL RESULT IN FAILURE OF THE ANTI-VIBRATION DETENT

RoHS COMPLIANT

UNITS = mm

DO NOT SCALE FROM DRAWING



THESE DRAWINGS AND SPECIFICATIONS ARE THE PROPERTY OF NorComp AND SHALL NOT BE REPRODUCED, COPIED OR USED AS THE BASIS FOR THE MANUFACTURE OR SALE OF APPARATUS WITHOUT WRITTEN PERMISSION.

DRAWN:

J. KADEL

DATE:

10/24/2022

NorComp

SCALE: NTS

SHEET 1 OF 1

REV 1

DWG NO.

858VD04-103RSS4