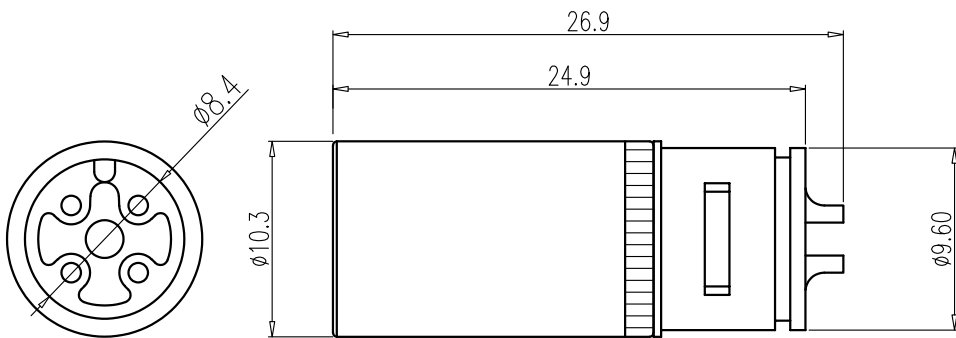
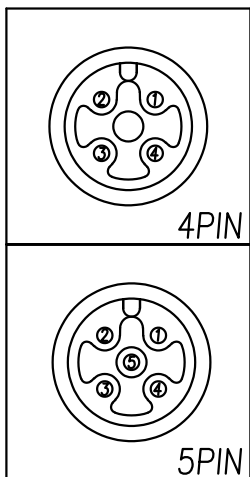


PLEASE NOTE THAT THE ANTI-VIBRATION DETENT IS MADE FROM PLASTIC AND IS NOT DESIGNED TO WITHSTAND MATING AND UN-MATING CYCLING; THIS WILL RESULT IN FAILURE OF THE ANTI-VIBRATION DETENT

MATING END VIEW



HOUSING & SHELL

NOTE:

MATERIAL

HOUSING	PA66 UL94V-0, BLACK
CONTACT	10 μ " GOLD PLATED BRASS
NUT	NICKEL PLATED BRASS
SHELL	NICKEL PLATED BRASS

ELECTRICAL

RATED CURRENT	4A
VOLTAGE	4P 250V // 5P 60V
INSULATOR RESISTANCE	100 MOhms MIN.
CONTACT RESISTANCE	10 mOhms MAX.
WATER PROOF	IP67

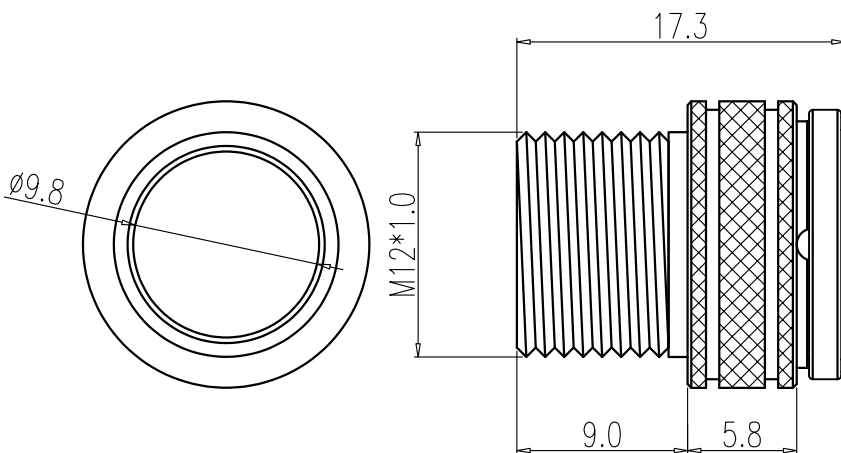
ENVIRONMENT

OPERATION TEMPERATURE	-40°C TO +85°C
-----------------------	----------------

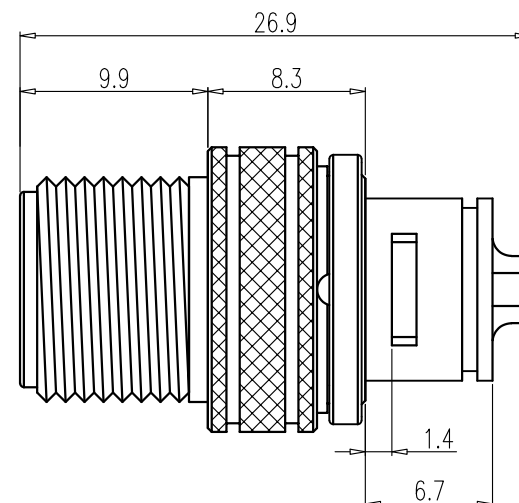
MAX WIRE AWG: 22AWG

858VAYY-103RLS4

04 = 4 POSITION
05 = 5 POSITION



NUT & ANTI-VIBRATION DETENT



ASSEMBLY

RoHS COMPLIANT

UNITS = mm

DO NOT SCALE FROM DRAWING



THESE DRAWINGS AND SPECIFICATIONS ARE THE PROPERTY OF NorComp AND SHALL NOT BE REPRODUCED, COPIED OR USED AS THE BASIS FOR THE MANUFACTURE OR SALE OF APPARATUS WITHOUT WRITTEN PERMISSION.

DRAWN:

J. KADEL

DATE:

08/11/2022

NorComp

SCALE:

NTS

SHEET

OF

1

1

REV

1

DWG NO.

858VAYY-103RLS4