

NUT & ANTI-VIBRATION DETENT

NOTE:

MATERIAL

HOUSING: PA66 UL94V-0, BLACK  
 CONTACT: BRASS  
 NUT: BRASS  
 O-RING: EPDM, BLACK

FINISH

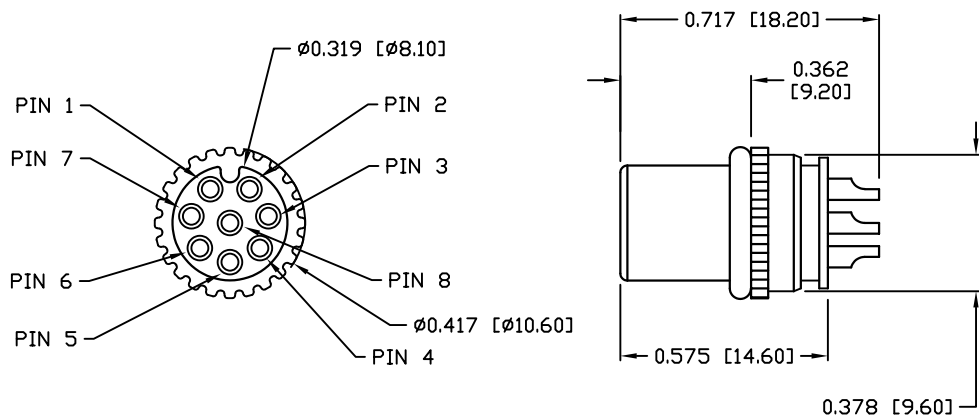
CONTACT: 10u" GOLD PLATED  
 NUT: NICKEL

ELECTRICAL

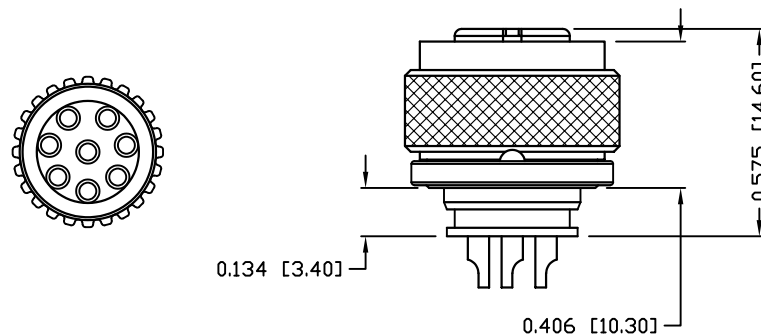
RATED CURRENT: 2A  
 RATED VOLTAGE: 30V  
 INSULATOR RESISTANCE: 100 MΩhms MIN.  
 CONTACT RESISTANCE: 10 mΩhms MAX.  
 WATER PROOF: IP67

ENVIRONMENT

OPERATION TEMPERATURE: -40°C TO +85°C



HOUSING & PIN & O-RING



\*PLEASE NOTE THAT THE ANTI-VIBRATION DETENT IS MADE FROM PLASTIC AND IS NOT DESIGNED TO WITHSTAND MATING AND UN-MATING CYCLING; THIS WILL RESULT IN FAILURE OF THE ANTI-VIBRATION DETENT\*

UNITS = inch [mm]

DO NOT SCALE FROM DRAWING

RoHS COMPLIANT



THESE DRAWINGS AND SPECIFICATIONS ARE THE PROPERTY OF NorComp AND SHALL NOT BE REPRODUCED, COPIED OR USED AS THE BASIS FOR THE MANUFACTURE OR SALE OF APPARATUS WITHOUT WRITTEN PERMISSION.

DRAWN: M. SIGMON  
 DATE: 08/04/2016

NorComp

SCALE: NTS	SHEET 1 OF 1	REV 3
DWG NO. 858VA08-203RLU4		