

DESCRIPTION: M12 MALE // CABLE MOUNT // SOLDER CUP // 8 POS // HIGH VIBRATION // SHIELDED

**SPECIFICATIONS:**

**MATERIALS:**

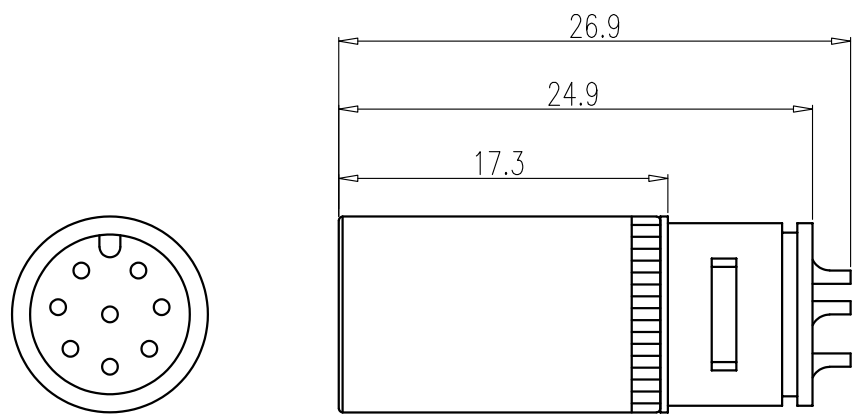
HOUSING: PA66, UL94 V-0, BLACK  
 CONTACTS: 10u" GOLD PLATED BRASS  
 NUT: NICKEL PLATED BRASS  
 SHELL: NICKEL PLATED BRASS

**ELECTRICAL:**

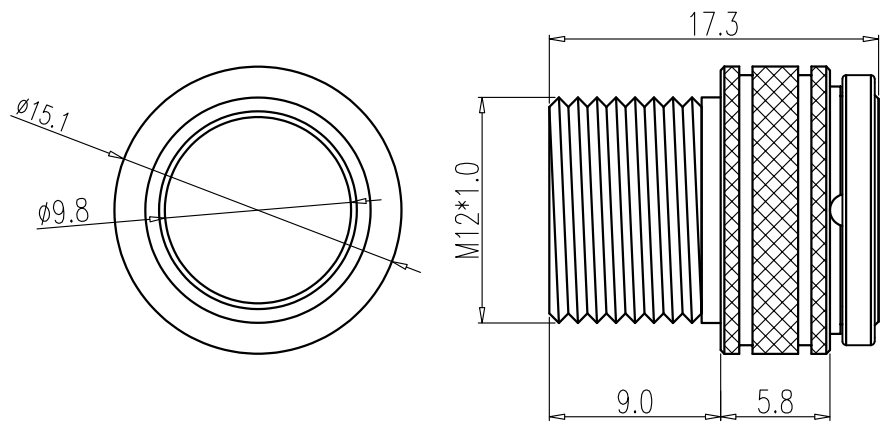
RATED CURRENT: 2A  
 RATED VOLTAGE: 30V  
 INSULATION RESISTANCE: 100 MOhms  
 CONTACT RESISTANCE: 10 mOhms

**ENVIRONMENT:**

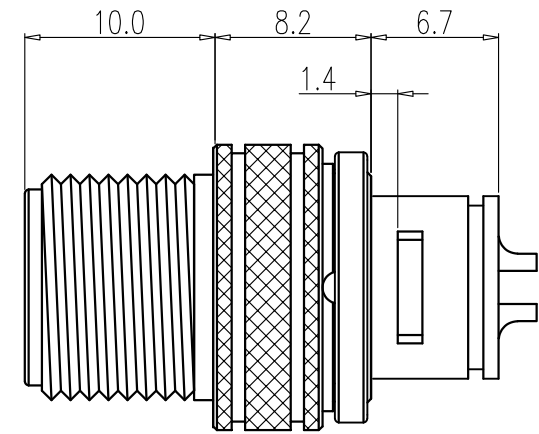
OPERATING TEMPERATURE: -40°C TO +85°C  
 WATER PROOF: IP67



HOUSING + CONTACT



NUT



ASSEMBLY

**\*PLEASE NOTE THAT THE ANTI-VIBRATION DETENT IS MADE FROM PLASTIC AND IS NOT DESIGNED TO WITHSTAND MATING AND UN-MATING CYCLING; THIS WILL RESULT IN FAILURE OF THE ANTI-VIBRATION DETENT\***

RoHS COMPLIANT

UNITS = mm

DO NOT SCALE FROM DRAWING



THESE DRAWINGS AND SPECIFICATIONS ARE THE PROPERTY OF NorComp AND SHALL NOT BE REPRODUCED, COPIED OR USED AS THE BASIS FOR THE MANUFACTURE OR SALE OF APPARATUS WITHOUT WRITTEN PERMISSION.

DRAWN: J. KADEL  
 DATE: 10/06/2022

NorComp

SCALE: NTS	SHEET 1 OF 1	REV 1
DWG NO. 858VA08-103RSS4		