

NOTE:

MATERIAL

HOUSING:	PBT UL94V-0, BLACK
CONTACT:	BRASS
NUT:	BRASS
SHELL:	ZINC ALLOY
COVER 1:	ZINC ALLOY
COVER 2:	ZINC ALLOY
BACK SHELL:	BRASS
SCREW:	LOW CARBON STEEL

FINISH

CONTACT:	GOLD 10u" MIN. OVER NICKEL
NUT:	NICKEL PLATED
SHELL:	NICKEL PLATED
COVER 1:	NICKEL PLATED
COVER 2:	NICKEL PLATED
BACK SHELL:	NICKEL PLATED
SCREW:	NICKEL PLATED

ELECTRICAL

RATED CURRENT:	0.5A
RATED VOLTAGE:	50VAC/60VDC
INSULATION RESISTANCE:	100 MΩhms MIN.
CONTACT RESISTANCE:	10 mΩhms MAX.
WATER PROOF:	IP67

ENVIRONMENT

OPERATION TEMPERATURE:	-40°C TO +85°C
MAX WIRE AWG:	24

NOTE:

RECOMMENDED CRIMP TOOL:
 -DANIELS HX4 OPEN FRAME CRIMP TOOL
 -Y141 DIE SET // CAVITY A // 0.268"
 RECOMMENDED MAXIMUM CABLE OD:
 -Ø7MM // BUILD UP CABLE WITH HEAT SHRINK

RoHS COMPLIANT

UNITS = inch [mm]

DO NOT SCALE FROM DRAWING



THESE DRAWINGS AND SPECIFICATIONS ARE THE PROPERTY OF NorComp AND SHALL NOT BE REPRODUCED, COPIED OR USED AS THE BASIS FOR THE MANUFACTURE OR SALE OF APPARATUS WITHOUT WRITTEN PERMISSION.

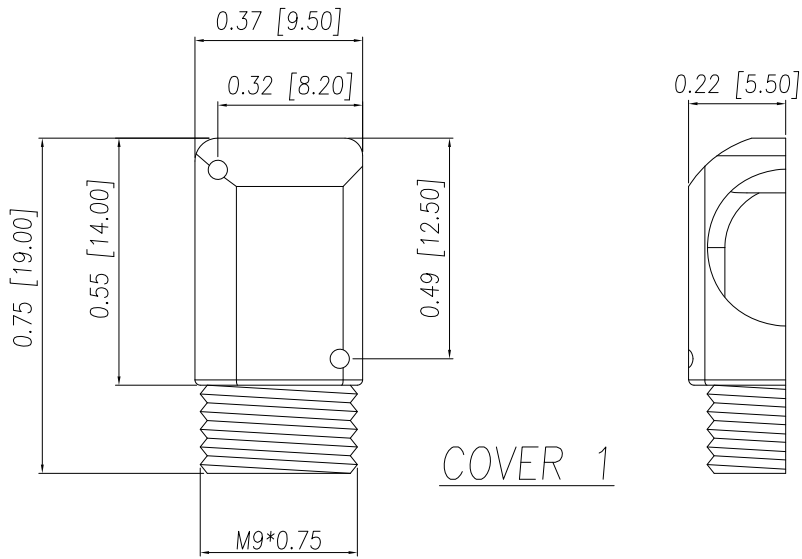
DRAWN:
P. JENKINS

DATE:
06/12/2018

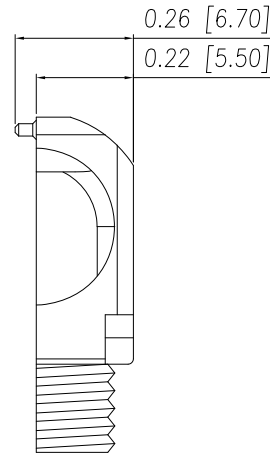
NorComp

SCALE: NTS	SHEET 1	OF 2	REV 3
DWG NO. 858-XR8-103RKT4			

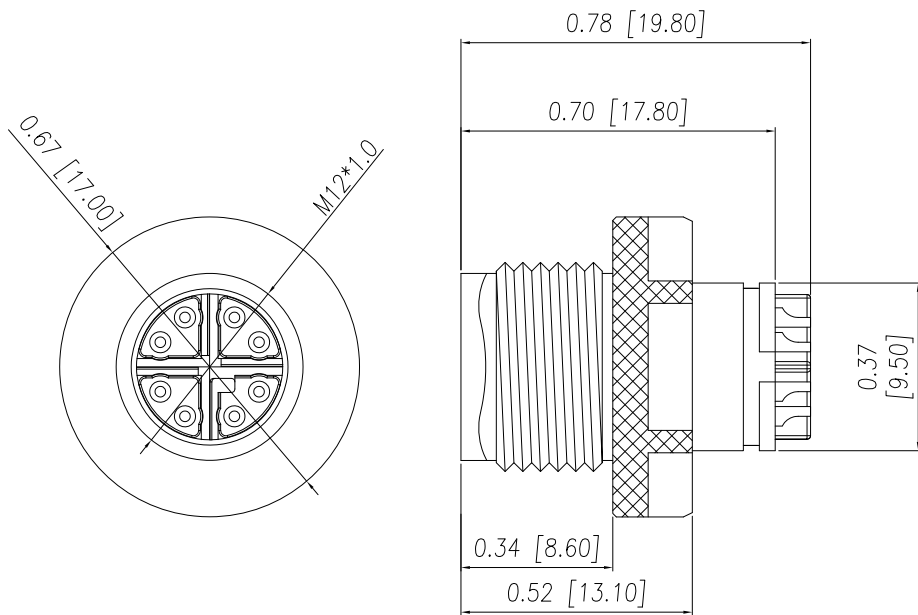
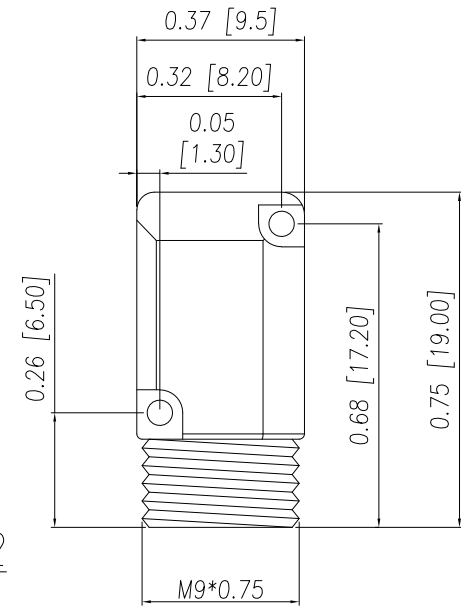
DESCRIPTION: M12 8 PIN MALE X CODE RIGHT ANGLE KIT



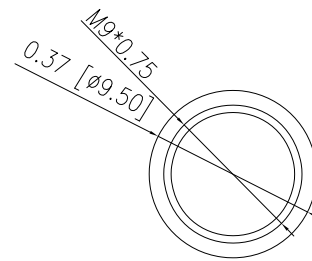
COVER 1



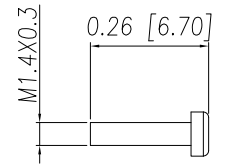
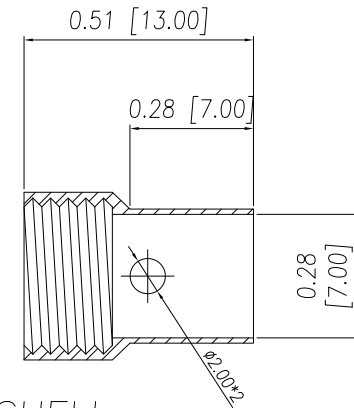
COVER 2



NUT & CONTACT & HOUSING & SHELL



BACK SHELL



SCREW

RoHS COMPLIANT

UNITS = inch [mm]

DO NOT SCALE FROM DRAWING



THESE DRAWINGS AND SPECIFICATIONS ARE THE PROPERTY OF NorComp AND SHALL NOT BE REPRODUCED, COPIED OR USED AS THE BASIS FOR THE MANUFACTURE OR SALE OF APPARATUS WITHOUT WRITTEN PERMISSION.

DRAWN:
P. JENKINS

DATE:
06/12/2018

NorComp

SCALE:
NTS

SHEET OF
2 OF 2

REV
3

DWG NO.

858-XR8-103RKT4