

DESCRIPTION: M12 // 5P // F // LCODE // CABLE KIT

SPECIFICATIONS:

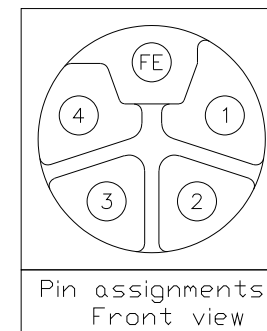
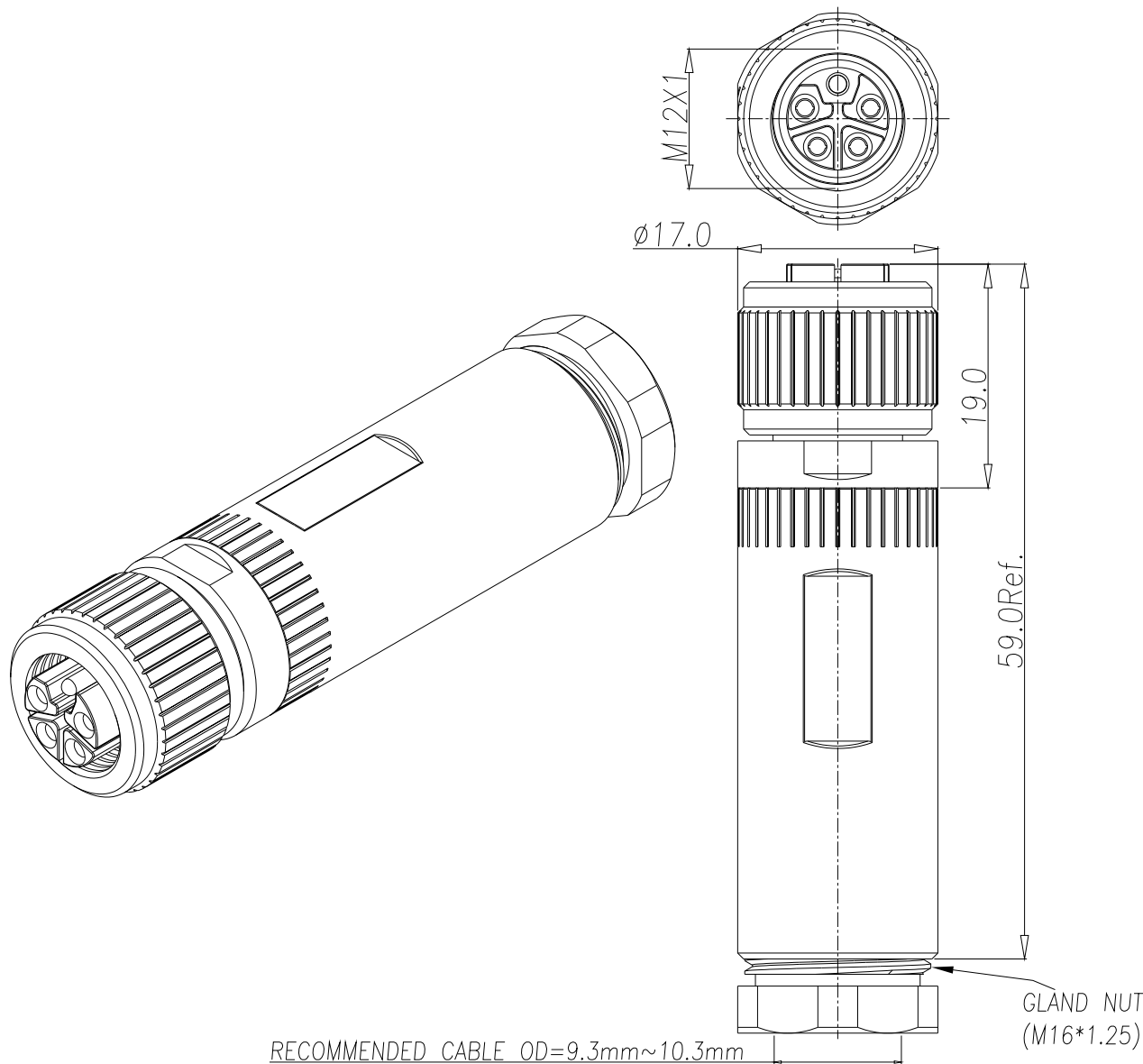
ELECTRICAL:
 RATED CURRENT: 16A
 RATED VOLTAGE: 63V
 INSULATION RESISTANCE: 100 MOhms MIN.
 CONTACT RESISTANCE: 10 mOhms MAX.
 WATER PROOF: IP67

MATERIAL:
 HOUSING: PA66 UL94V-0, BLACK
 CONTACT: BRASS
 NUT: BRASS
 SHELL: BRASS
 O-RING: EPDM, BLACK
 SPRING: STAINLESS STEEL
 GROUND: BRASS
 MAIN BODY: ALUMINUM ALLOY
 GLAND: SILICONE, BLACK
 GLAND CAGE: POM, WHITE
 GLAND NUT: ALUMINUM ALLOY

FINISH:
 CONTACT: 10u" GOLD PLATED
 NUT: NICKEL PLATED
 SHELL: NICKEL PLATED
 GROUND: NICKEL PLATED
 MAIN BODY: NICKEL PLATED
 GLAND NUT: NICKEL PLATED

ENVIRONMENT
 OPERATION TEMPERATURE: -40°C TO +85°C

MAX WIRE AWG: 16 AWG



RoHS COMPLIANT

UNITS = mm

DO NOT SCALE FROM DRAWING



THESE DRAWINGS AND SPECIFICATIONS ARE THE PROPERTY OF NorComp AND SHALL NOT BE REPRODUCED, COPIED OR USED AS THE BASIS FOR THE MANUFACTURE OR SALE OF APPARATUS WITHOUT WRITTEN PERMISSION.

DRAWN:
J. KADEL

DATE:
08/23/2021

NorComp

SCALE: NTS	SHEET 1	OF 1	REV 3
---------------	------------	---------	----------

DWG NO. **858-LP5-203RKT4**