

DESCRIPTION: M12 FEMALE - CABLE MOUNT - K CODE - 5 POS.

**SPECIFICATIONS:**

**MATERIALS:**

HOUSING: PA66 UL94V-0; BLACK  
 CONTACTS: 10u" GOLD PLATED BRASS  
 NUT: NICKEL PLATED BRASS  
 ORING: EPDM

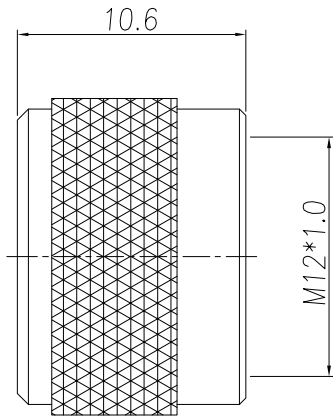
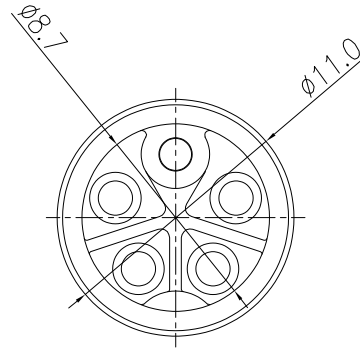
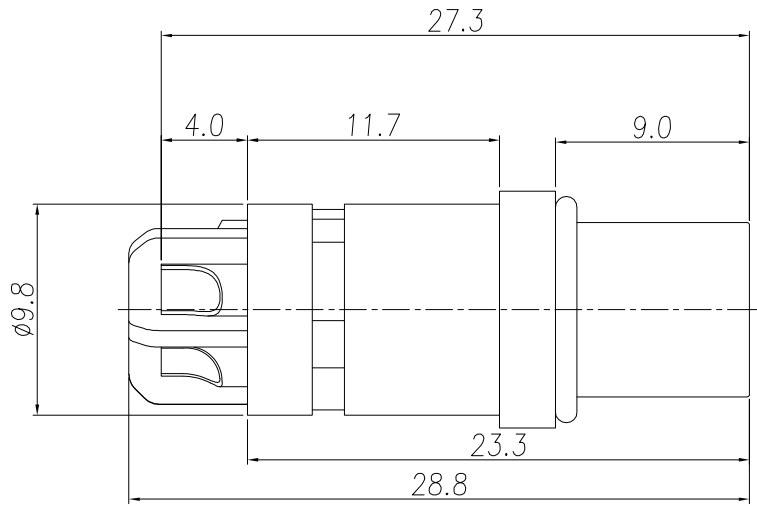
**ELECTRICAL:**

RATED CURRENT: 12A  
 RATED VOLTAGE: 630V

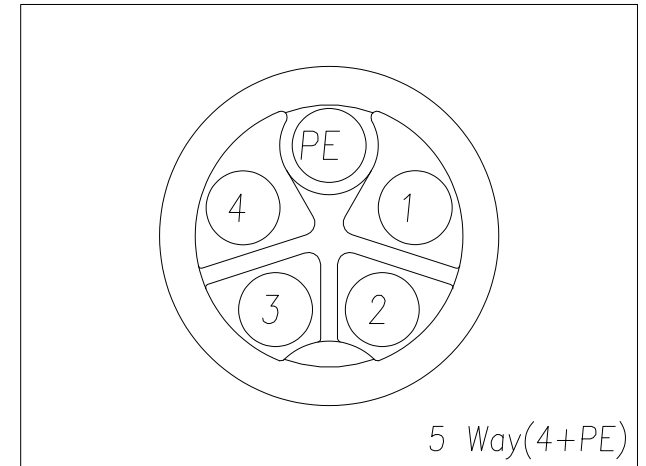
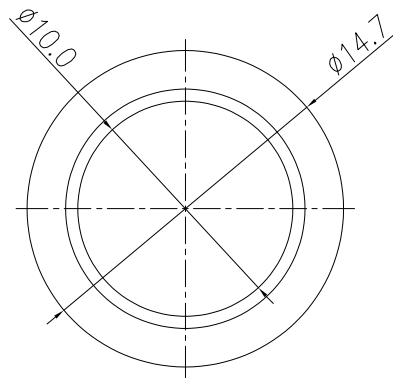
**ENVIRONMENT:**

OPERATING TEMPERATURE: -40°C TO +85°C  
 WATER PROOF: IP67

MAX WIRE AWG: 16



NUT



RoHS COMPLIANT

UNITS = mm

DO NOT SCALE FROM DRAWING



THESE DRAWINGS AND SPECIFICATIONS ARE THE PROPERTY OF NorComp AND SHALL NOT BE REPRODUCED, COPIED OR USED AS THE BASIS FOR THE MANUFACTURE OR SALE OF APPARATUS WITHOUT WRITTEN PERMISSION.

DRAWN:  
J. F. KADEL

DATE:  
2/12/2024

NorComp

SCALE:  
NTS

SHEET 1 OF 1

REV 1

DWG NO.

858-K05-203RLU4