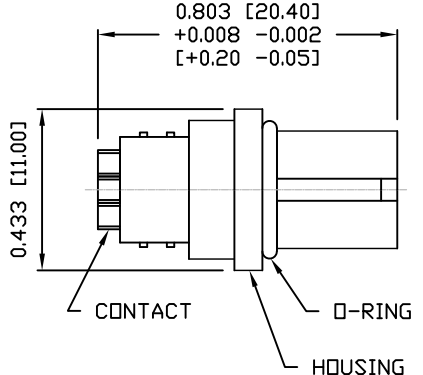
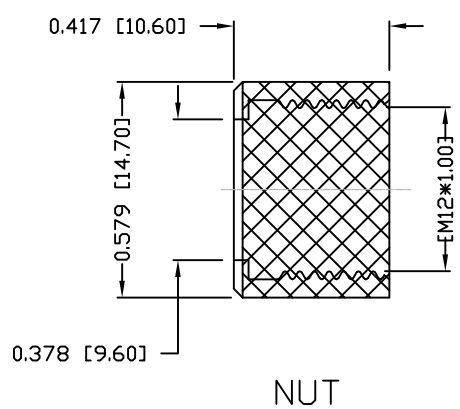
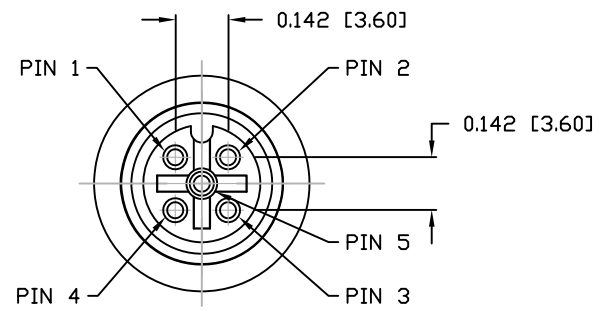
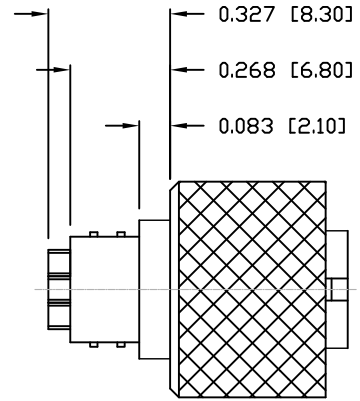


DESCRIPTION: M12 FEMALE - CABLE MOUNT - SOLDER CUP - 5 POS.



NOTE:
 MATERIAL
 HOUSING: PBT UL94V-0, BLACK
 CONTACT: BRASS
 NUT: BRASS
 O-RING: EPDM
 FINISH
 CONTACT: GOLD PLATED
 OVER 50µ" NICKEL
 NUT: NICKEL PLATED
 60µ" TO 10µ" OVER ALL
 ELECTRICAL
 RATED CURRENT: 4A
 RATED VOLTAGE: 60V
 INSULATION RESISTANCE: 100 MΩhms MIN.
 CONTACT RESISTANCE: 10 mΩhms MAX.
 WATER PROOF: IP67
 ENVIRONMENT
 OPERATION TEMPERATURE: -40°C TO +85°C
 MAX WIRE AWG: 22



858-005-203RSUY
 3 = BRASS/NICKEL NUT
 S = STAINLESS STEEL NUT
 1 = GOLD FLASH
 4 = 10µ" GOLD

RoHS COMPLIANT

UNITS = INCHES [MM]

DO NOT SCALE FROM DRAWING

	THESE DRAWINGS AND SPECIFICATIONS ARE THE PROPERTY OF NorComp AND SHALL NOT BE REPRODUCED, COPIED OR USED AS THE BASIS FOR THE MANUFACTURE OR SALE OF APPARATUS WITHOUT WRITTEN PERMISSION.	DRAWN:	DATE:	<h1>NorComp</h1>	SCALE:	SHEET	OF	REV	
		M. SIGMON	03-07-16		NTS	1	1	3	
					DWG NO.	858-005-203RSUY			