

DESCRIPTION: M12 FEMALE - CABLE MOUNT - 2 POS.

**SPECIFICATIONS:**

**MATERIALS:**

HOUSING: PBT, UL94 V-0, BLACK  
 CONTACTS: 10u" GOLD PLATED BRASS  
 NUT: NICKEL PLATED BRASS  
 SHELL: NICKEL PLATED BRASS  
 O-RING: EPDM, BLACK

**ELECTRICAL:**

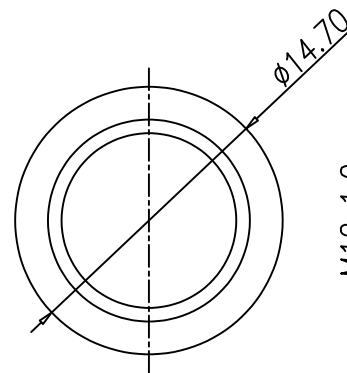
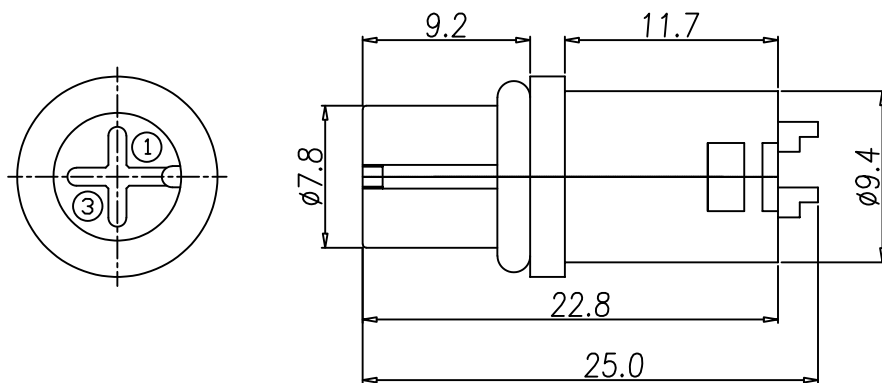
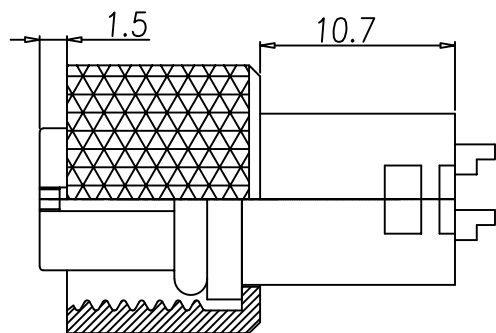
RATED CURRENT: 4A  
 RATED VOLTAGE: 250V  
 INSULATION RESISTANCE: 100 MOhms MIN.  
 CONTACT RESISTANCE: 10 mOhms MAX.

**ENVIRONMENT:**

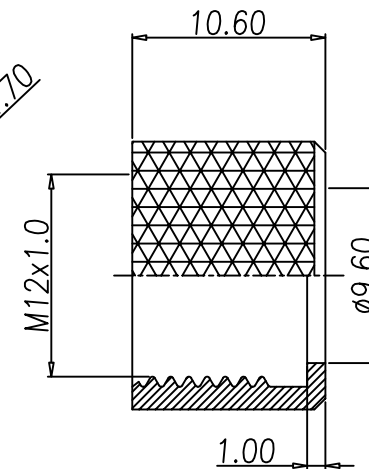
OPERATING TEMPERATURE: -40°C TO +85°C  
 WATER PROOF: IP67

**MAX WIRE AWG:**

22



NUT



RoHS COMPLIANT

UNITS = mm

DO NOT SCALE FROM DRAWING



THESE DRAWINGS AND SPECIFICATIONS ARE THE PROPERTY OF NorComp AND SHALL NOT BE REPRODUCED, COPIED OR USED AS THE BASIS FOR THE MANUFACTURE OR SALE OF APPARATUS WITHOUT WRITTEN PERMISSION.

DRAWN: J. F. KADEL

DATE: 11/02/2022

NorComp

SCALE: NTS

SHEET 1 OF 1

REV 0

DWG NO.

858-002-203RLU4