

DESCRIPTION: M12 MALE - CABLE MOUNT - 2 POS.

SPECIFICATIONS:

MATERIALS:

HOUSING: PBT, UL94 V-0, BLACK
 CONTACTS: 10u" GOLD PLATED BRASS
 NUT: NICKEL PLATED BRASS
 SHELL: NICKEL PLATED BRASS
 O-RING: EPDM, BLACK

ELECTRICAL:

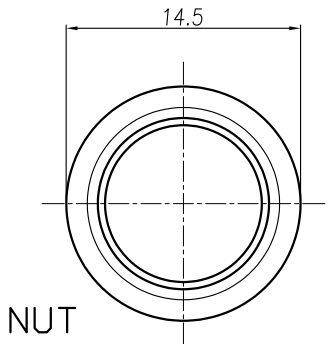
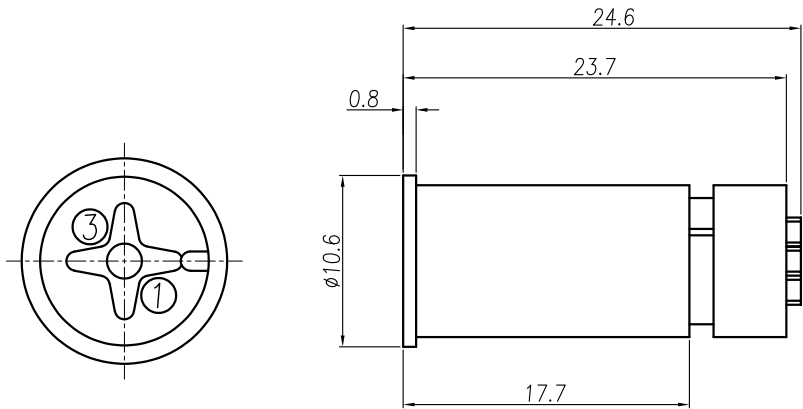
RATED CURRENT: 4A
 RATED VOLTAGE: 250V
 INSULATION RESISTANCE: 100 MOhms MIN.
 CONTACT RESISTANCE: 10 mOhms MAX.

ENVIRONMENT:

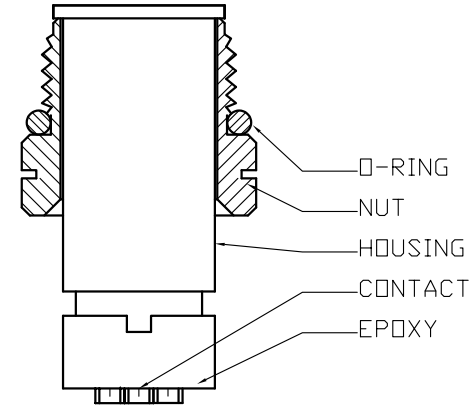
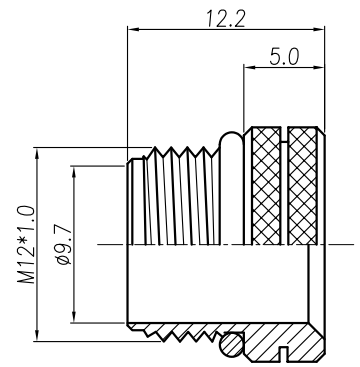
OPERATING TEMPERATURE: -40°C TO +85°C
 WATER PROOF: IP67

MAX WIRE AWG:

22



NUT



RoHS COMPLIANT

UNITS = mm

DO NOT SCALE FROM DRAWING



THESE DRAWINGS AND SPECIFICATIONS ARE THE PROPERTY OF NorComp AND SHALL NOT BE REPRODUCED, COPIED OR USED AS THE BASIS FOR THE MANUFACTURE OR SALE OF APPARATUS WITHOUT WRITTEN PERMISSION.

DRAWN: J. F. KADEL
 DATE: 11/02/2022

NorComp

SCALE: NTS	SHEET 1 OF 1	REV 0
DWG NO. 858-002-103RLU4		