

DESCRIPTION: B SIZE CIRCULAR // MALE SOLDER CUP REAR PANEL MOUNT // BAYONET

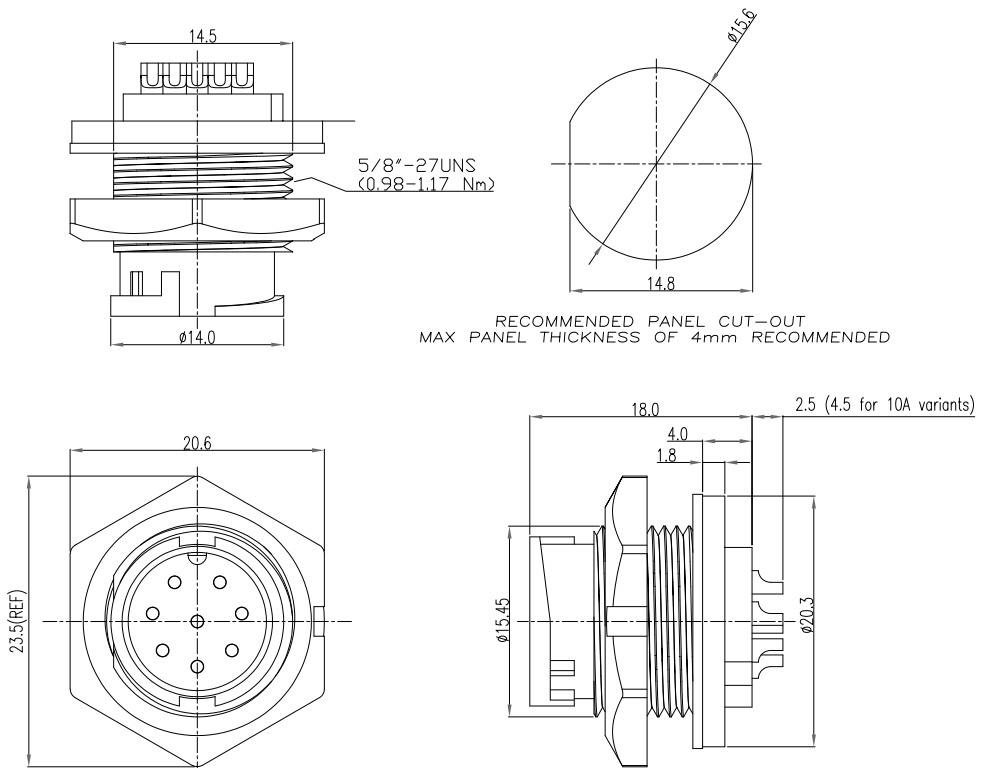
SPECIFICATIONS:

MATERIALS:
 HOUSING: PA66, UL94 V-0, BLACK
 CONTACTS: GOLD FLASH PLATED BRASS
 NUT: PA66, UL94 V-0, BLACK
 ORING: SILICONE

ELECTRICAL:
 RATED CURRENT: SEE TABLE TO LEFT
 RATED VOLTAGE: 250V
 INSULATION RESISTANCE: 100 MOhms MIN.
 CONTACT RESISTANCE: 10 mOhms MAX.

ENVIRONMENT:
 OPERATING TEMPERATURE: -40°C TO +105°C
 WATER PROOF: IP67

POSITIONS AVAILABLE				
NorComp Part Number	POSITIONS		MAX AMPERAGE	MAX WIRE AWG
869-02A-103R001	2A		10A	18AWG
869-03A-103R001	3A		10A	18AWG
869-04A-103R001	4A		10A	18AWG
869-02B-103R001	2B		5A	24AWG
869-03B-103R001	3B		5A	24AWG
869-04B-103R001	4B		5A	24AWG
869-005-103R001	5		5A	24AWG
869-006-103R001	6		5A	24AWG
869-007-103R001	7		5A	24AWG
869-008-103R001	8		5A	24AWG
869-010-103R001	10		2A	26AWG
869-012-103R001	12		2A	26AWG



RECOMMENDED PANEL CUT-OUT
 MAX PANEL THICKNESS OF 4mm RECOMMENDED

RoHS COMPLIANT



THESE DRAWINGS AND SPECIFICATIONS ARE THE PROPERTY OF NorComp AND SHALL NOT BE REPRODUCED, COPIED OR USED AS THE BASIS FOR THE MANUFACTURE OR SALE OF APPARATUS WITHOUT WRITTEN PERMISSION.

DRAWN: J. KADEL
 DATE: 06/17/2024

UNITS = mm

DO NOT SCALE FROM DRAWING

NorComp

SCALE: NTS	SHEET 1 OF 1	REV 0
DWG NO. 869-YYY-103R001		