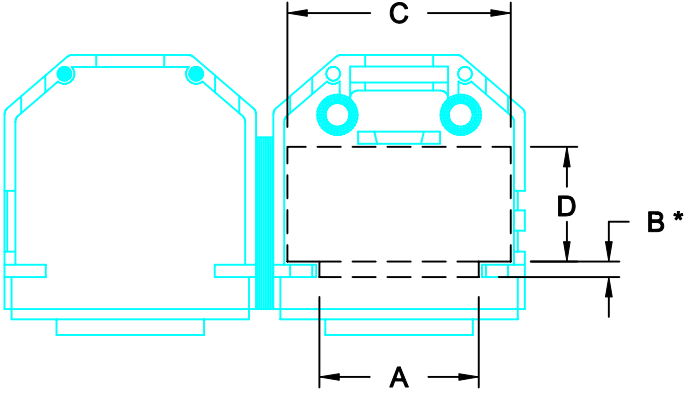
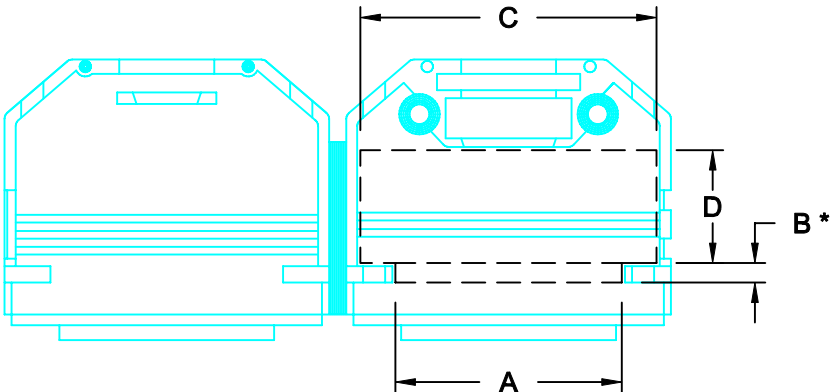


DESCRIPTION: INTERNAL DIMENSIONS - PLASTIC

		DIMENSIONS (IN.)				
		9	15	25	37	50
SEE NOTE 1. →	A	0.760	1.070	SEE SHEET 2		SEE SHEET 3
	B*	0.074	0.093			
	C	1.065	1.412			
	D	0.547	0.538			
SEE NOTE 2. →	PCB	0.413	0.333			



9-PIN



15-PIN

- NOTE:**
1. "B" DIMENSION MEASURED FROM BACK SIDE OF CONNECTOR FLANGE
 2. MIN. SAFE SPACING BETWEEN BACK SHELLS FOR PCB AND MOUNTED COMPONENTS
 3. THESE DIMENSIONS ARE GOOD FOR THE PLASTIC BACK SHELLS

PLASTIC



THESE DRAWINGS AND SPECIFICATIONS ARE THE PROPERTY OF NorComp AND SHALL NOT BE REPRODUCED, COPIED OR USED AS THE BASIS FOR THE MANUFACTURE OF SALE OF APPARATUS WITHOUT WRITTEN PERMISSION.

DRAWN: C. SMITH		DATE: 06-28-06	
CHECKED: X		DATE: X	
SCALE: N.T.S.	SHEET 1	OF 3	REV 0

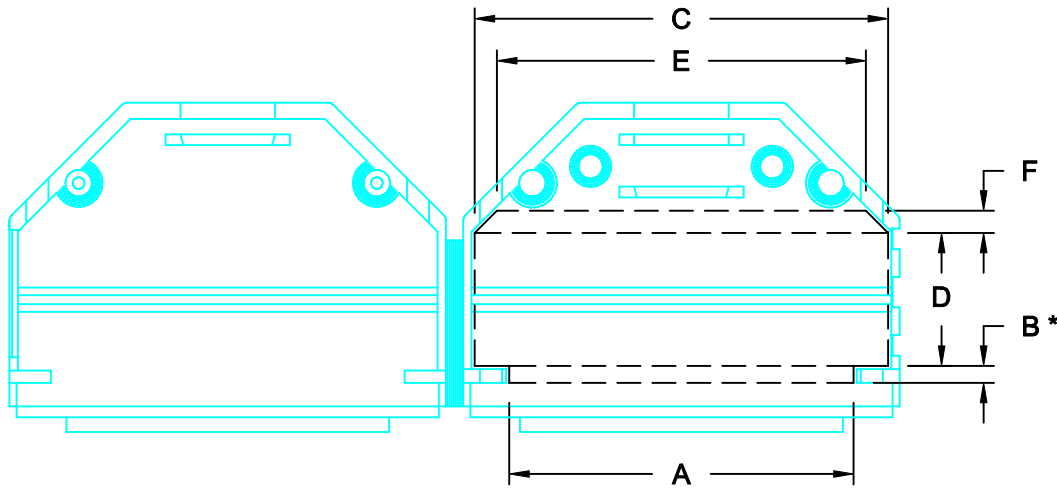
NorComp

DWG NO. **ID - 972 SERIES**

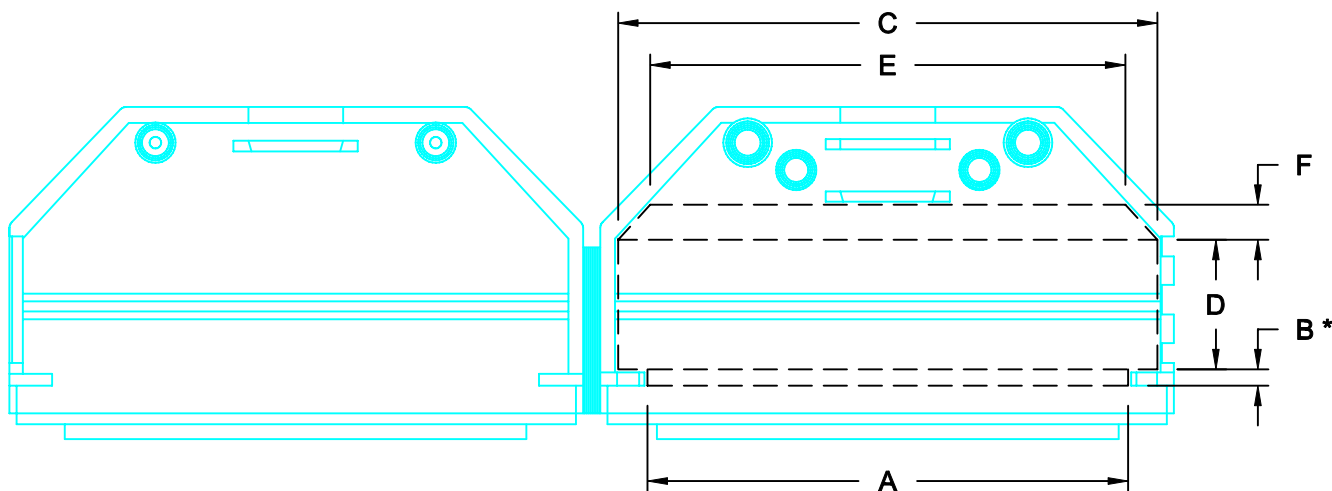
RoHS COMPLIANT

DESCRIPTION: INTERNAL DIMENSIONS - PLASTIC

DIMENSIONS (IN.)					
	9	15	25	37	50
A			1.641	2.290	
B*			0.081	0.078	
C			1.970	2.570	
D			0.634	0.617	
E			1.758	2.264	
F			0.106	0.167	
PCB			0.338	0.330	



25-PIN



37-PIN

SEE NOTE 1.

SEE NOTE 2.

- NOTE:**
- "B" DIMENSION MEASURED FROM BACK SIDE OF CONNECTOR FLANGE
 - MIN. SAFE SPACING BETWEEN BACK SHELLS FOR PCB AND MOUNTED COMPONENTS
 - THESE DIMENSIONS ARE GOOD FOR THE PLASTIC BACK SHELLS

RoHS COMPLIANT

	THESE DRAWINGS AND SPECIFICATIONS ARE THE PROPERTY OF NorComp AND SHALL NOT BE REPRODUCED, COPIED OR USED AS THE BASIS FOR THE MANUFACTURE OF SALE OF APPARATUS WITHOUT WRITTEN PERMISSION.		DRAWN: C. SMITH	DATE: 06-29-06
			CHECKED: X	DATE: X
<h1>NorComp</h1>		SCALE: N.T.S.	SHEET 2 OF 3	REV 0
		DWG NO. ID - 972 SERIES		

PLASTIC

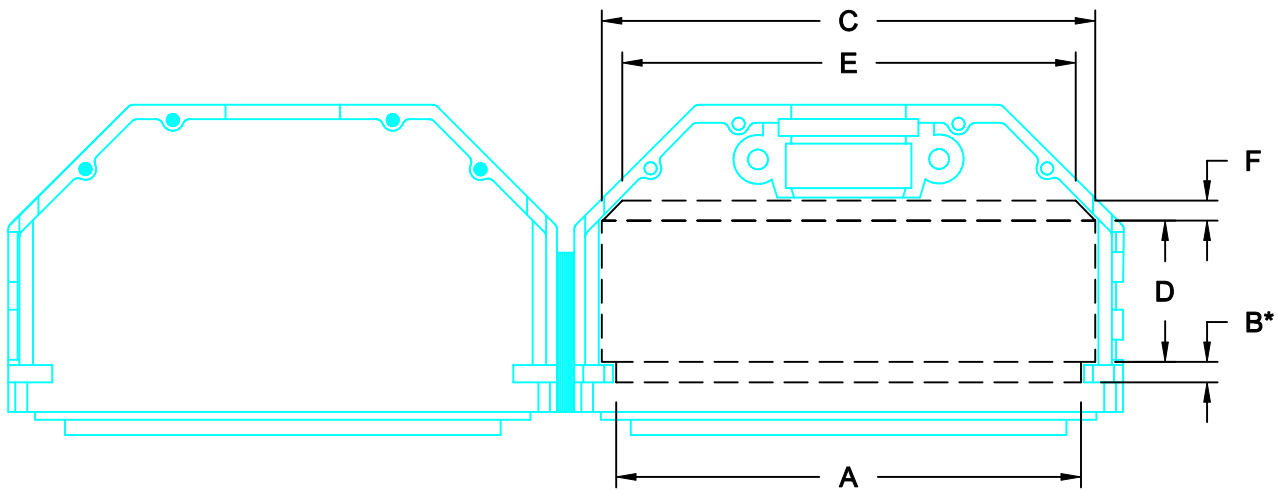
DESCRIPTION: INTERNAL DIMENSIONS - PLASTIC

DIMENSIONS (IN.)					
	9	15	25	37	50
A	SEE SHEET 1		SEE SHEET 2		
B*	SEE SHEET 1		SEE SHEET 2		
C	SEE SHEET 1		SEE SHEET 2		
D	SEE SHEET 1		SEE SHEET 2		
E	SEE SHEET 1		SEE SHEET 2		
F	SEE SHEET 1		SEE SHEET 2		
PCB	SEE SHEET 1		SEE SHEET 2		

SEE NOTE 1. →

SEE NOTE 2. →

- NOTE:**
- "B" DIMENSION MEASURED FROM BACK SIDE OF CONNECTOR FLANGE
 - MIN. SAFE SPACING BETWEEN BACK SHELLS FOR PCB AND MOUNTED COMPONENTS
 - THESE DIMENSIONS ARE GOOD FOR THE PLASTIC BACK SHELLS



50-PIN

PLASTIC



THESE DRAWINGS AND SPECIFICATIONS ARE THE PROPERTY OF NorComp AND SHALL NOT BE REPRODUCED, COPIED OR USED AS THE BASIS FOR THE MANUFACTURE OF SALE OF APPARATUS WITHOUT WRITTEN PERMISSION.

DRAWN: C. SMITH	DATE: 06-28-06
CHECKED: X	DATE: X
SCALE: N.T.S.	SHEET 3 OF 3
DWG NO. ID - 972 SERIES	REV 0

RoHS COMPLIANT

NorComp