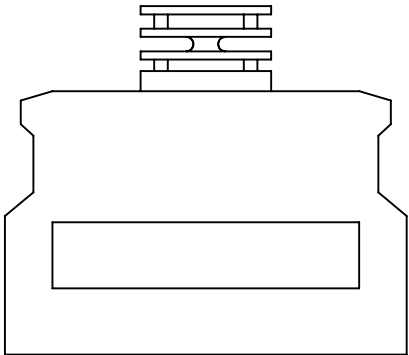
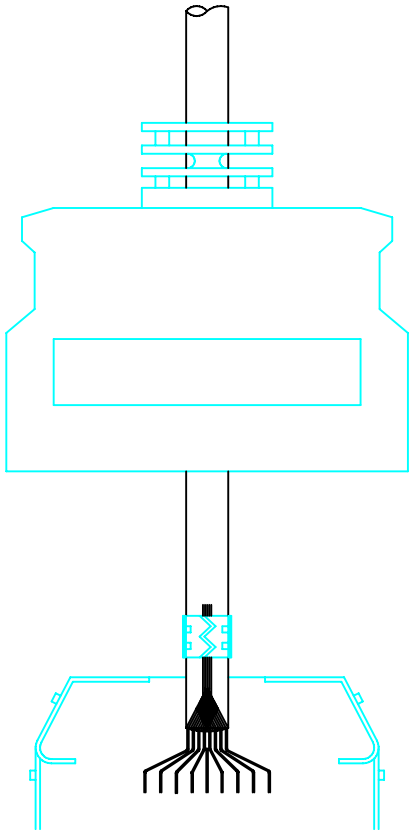


ASSEMBLY INSTRUCTIONS:

1. SLIDE PLASTIC COVER OVER CABLE END
2. PREPARE CABLE ENDS, CONNECT TO CONNECTOR
3. PLACE CABLE IN STRAIN RELIEF AREA OF CONNECTOR COVER MAKING SURE CABLE JACKET IS BELOW STRAIN RELIEF CRIMP AREA
4. IF CABLE IS SHIELDED, FOLD SHIELD AND/OR GROUND WIRE BACK SO IT WILL BE UNDER THE CABLE CRIMP. CUT ANY EXCESS WIRE SO IT DOES NOT STICK OUT OF THE CONNECTOR COVER
5. CRIMP STRAIN RELIEF AROUND CABLE USING STANDARD CABLE CRIMPING TOOL CORRECTLY SIZED FOR THE CABLE BEING USED
6. SNAP THE SPRING LATCHES INTO POSITION ON THE OTHER CONNECTOR COVER. PLACE THE CONNECTOR COVER OVER THE CABLE AND CONNECTOR WITH THE STRAIN RELIEF, MAKING SURE NO WIRES ARE PINCHED. SNAP THE TWO COVERS INTO POSITION
7. HOLDING THE CONNECTOR COVERS, SLIDE THE PLASTIC COVER DOWN THE CABLE. SLIDE THE CONNECTOR COVERS WITH THE CONNECTOR INTO THE PLASTIC COVER UNTIL IT SNAPS INTO PLACE

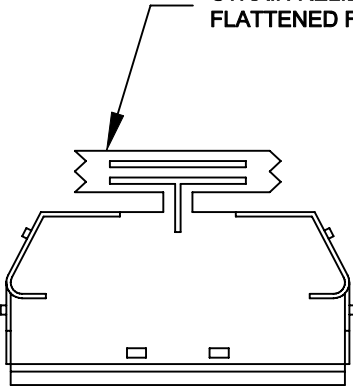


PLASTIC COVER

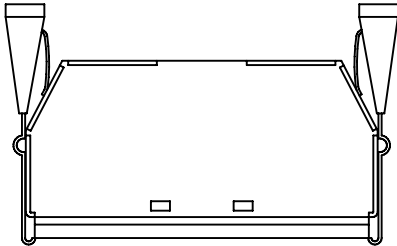


ITEM No. 1, 3, 4 & 5

STRAIN RELIEF
FLATTENED FOR CLARITY




CONNECTOR COVER
WITH STRAIN RELIEF



CONNECTOR COVER
WITH SPRING LATCHES

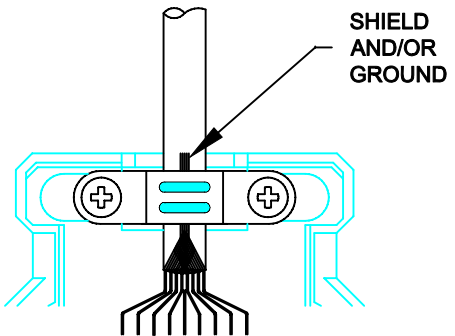
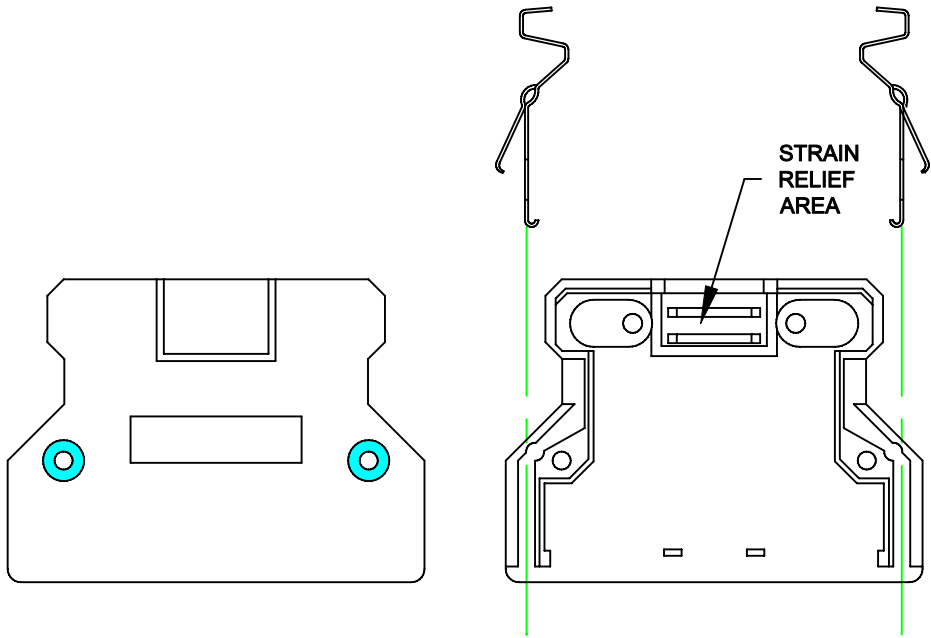
RoHS COMPLIANT

PLASTIC

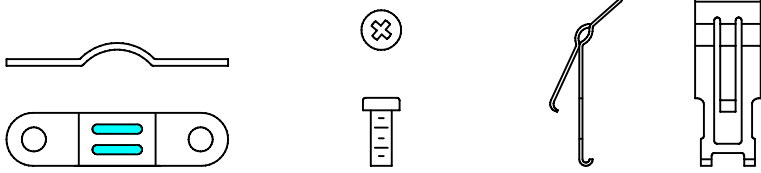
	THESE DRAWINGS AND SPECIFICATIONS ARE THE PROPERTY OF NorComp AND SHALL NOT BE REPRODUCED, COPIED OR USED AS THE BASIS FOR THE MANUFACTURE OF SALE OF APPARATUS WITHOUT WRITTEN PERMISSION.		DRAWN: C. SMITH	DATE: 04-18-06
			CHECKED: X	DATE: X
<h1>NorComp</h1>		SCALE: N.T.S.	SHEET 1 OF 2	REV 0
		DWG NO. BACKSHELL - 988 SERIES		

ASSEMBLY INSTRUCTIONS:

1. PREPARE CABLE ENDS, CONNECT TO CONNECTOR
2. IF SPRING CLIPS ARE NOT IN PLACE, CLIP THEM IN
3. PLACE CABLE IN STRAIN RELIEF RECESS AREA MAKING SURE CABLE JACKET IS BELOW STRAIN RELIEF. ENSURE THE CABLE IS PRESSED INTO THE STRAIN RELIEF RECESS AREA
4. IF CABLE IS SHIELDED, FOLD SHIELD AND/OR GROUND WIRE BACK INTO STRAIN RELIEF AREA. CUT OFF ANY EXCESS WIRE SO IT DOES NOT STICK OUT OF THE CONNECTOR
5. PLACE STRAIN RELIEF CLAMP OVER CABLE. USING SCREWS PROVIDED, TIGHTEN CABLE CLAMP. CABLE CLAMP MAY BE INSTALLED UPSIDE DOWN FOR SMALLER CABLES
6. PLACE THE OTHER HALVE OF THE HOOD ON TOP OF THE FIRST HALF, MAKING SURE NO WIRES ARE PINCHED
7. HOLDING THE HOODS TOGETHER, INSERT THE MOUNTING SCREWS THROUGH THE TOP HOOD. TIGHTEN THE TWO HALVES TOGETHER



ITEM No. 3, 4 & 5



STRAIN RELIEF CLAMP

STRAIN RELIEF SCREW

SPRING CLIP

RoHS COMPLIANT

DIE CAST

	THESE DRAWINGS AND SPECIFICATIONS ARE THE PROPERTY OF NorComp AND SHALL NOT BE REPRODUCED, COPIED OR USED AS THE BASIS FOR THE MANUFACTURE OF SALE OF APPARATUS WITHOUT WRITTEN PERMISSION.		DRAWN: C. SMITH	DATE: 04-18-06
			CHECKED: X	DATE: X
<h1>NorComp</h1>		SCALE: N.T.S.	SHEET 2 OF 2	REV 0
		DWG NO. BACKSHELL - 988 SERIES		