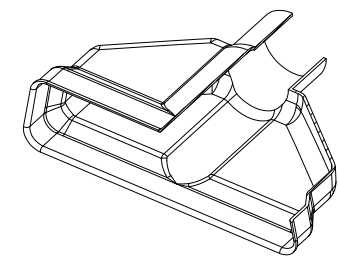
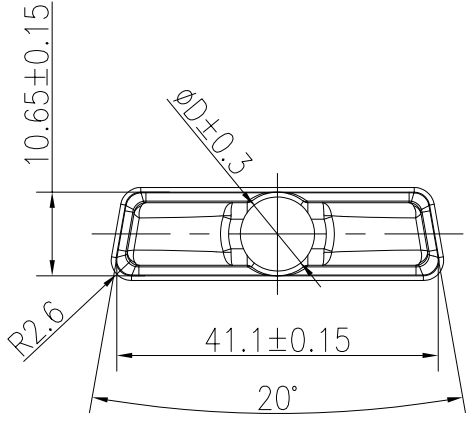


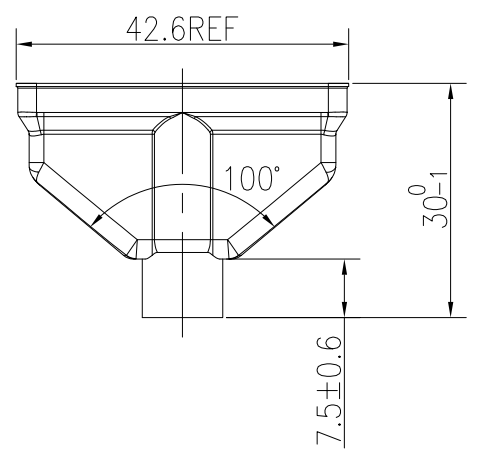
DESCRIPTION: DSUB BACK SHELL SHIELDING CAN // 25 POSITION

SPECIFICATIONS:

MATERIALS: TIN PLATED STEEL



*Cross Section View Shown Above



NORCOMP P/N	ØD±0.3
998-25P-7.2	7.2
998-25P-9.5	9.5
998-25P-11**	11

**Please note largest diameter (11mm) may have gaps at cable exit area that are not MFG defects

RoHS COMPLIANT

UNITS = mm

DO NOT SCALE FROM DRAWING



THESE DRAWINGS AND SPECIFICATIONS ARE THE PROPERTY OF NorComp AND SHALL NOT BE REPRODUCED, COPIED OR USED AS THE BASIS FOR THE MANUFACTURE OR SALE OF APPARATUS WITHOUT WRITTEN PERMISSION.

DRAWN: J. KADEL
DATE: 05/16/2024

NorComp

SCALE: NTS	SHEET 1 OF 1	REV 0
DWG NO. 998-25P-YYYY		