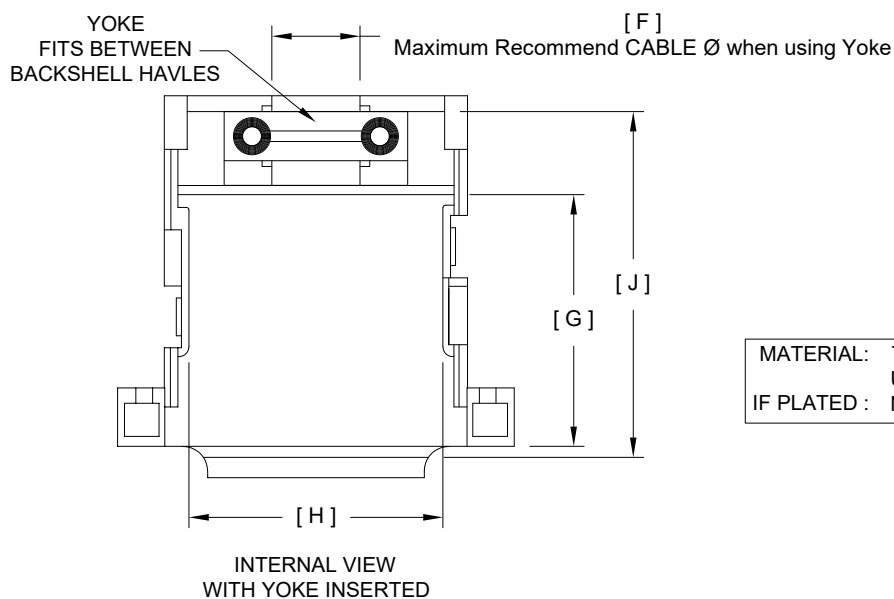
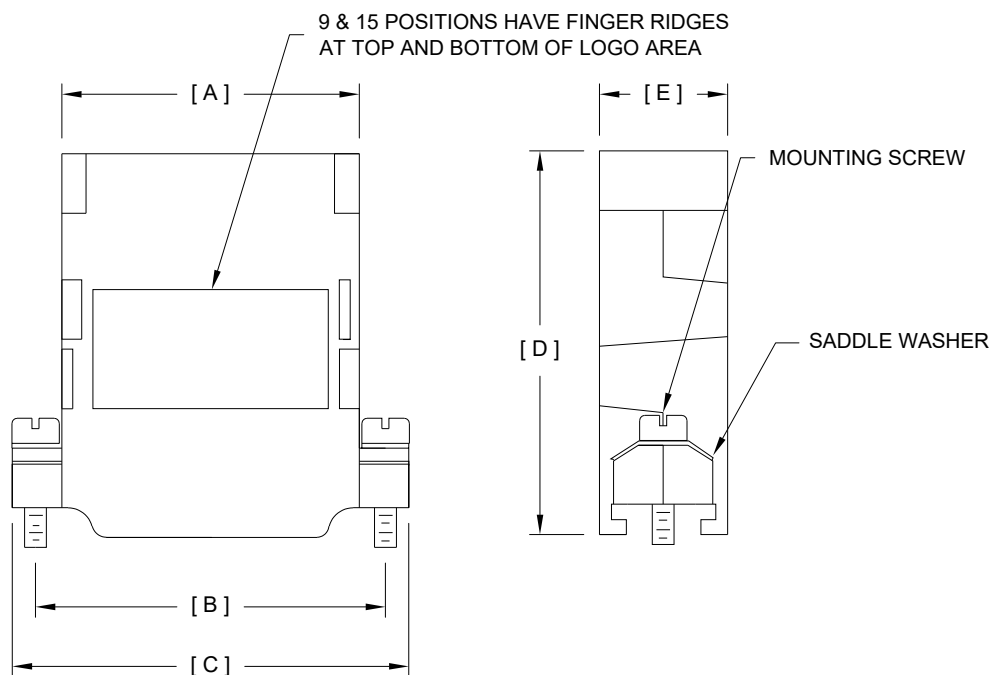


DESCRIPTION: 983 SERIES D-SUB BACKSHELL



MATERIAL: THERMOPLASTIC,
UL 94V-0, BLACK OR GRAY
IF PLATED : NICKEL OVER COPPER

DIMENSIONS

SIZE		A	B	C	D	E	F	G	H	J
9	in.	0.783	0.984	1.252	1.929	0.654	0.268	1.285	0.546	1.737
	mm	19.88	24.99	31.80	49.00	16.60	6.80	32.64	13.87	44.13
15	in.	1.089	1.312	1.567	1.929	0.654	0.287	1.285	0.837	1.731
	mm	27.66	33.32	39.80	49.00	16.60	7.30	32.65	21.26	43.97
25	in.	1.652	1.852	2.122	1.925	0.654	0.303	1.270	1.378	1.739
	mm	41.95	47.04	53.90	48.90	16.60	7.70	32.25	35.00	44.16
37	in.	2.278	2.500	2.756	1.940	0.654	0.303	1.300	2.030	1.726
	mm	57.86	63.50	70.00	49.28	16.60	7.70	33.02	51.55	43.84
50	in.	2.200	2.406	2.670	1.950	0.781	0.394	1.293	1.932	1.746
	mm	55.88	61.11	67.82	49.53	19.84	10.0	32.85	49.07	44.35

ALL TOLERANCES = ±0.016 [±0.40]
UNLESS OTHERWISE INDICATED

BACKSHELL KIT INCLUDES:

- (2) BACKSHELL HALVES
- (1) YOKE
- (2) STRAIN RELIEF CLAMPS
- (2) STRAIN RELIEF SCREWS (SELF TAPPING SCREWS)
- (2) SADDLE WASHERS
- (2) #4-40 MOUNTING SCREWS (ROUND HEAD)

(#4-40 MOUNTING SCREW RECOMMEND TORQUE 60in-oz)

983-YYY-0Y0RYY1

SERIES _____

POSITIONS _____

009 _____

015 _____

025 _____

037 _____

050 _____

MATERIAL _____

010 = PLASTIC

020 = METALIZED PLASTIC

COLOR _____

01 = BLACK (ONLY AVAILABLE IN 010 OPTION)

03 = GRAY (ONLY AVAILABLE IN 010 OPTION)

12 = NICKEL OVER COPPER (ONLY AVAILABLE IN 020 OPTION)

PUT-UPS _____

1 = KIT

2 = BULK

RoHS COMPLIANT



THESE DRAWINGS AND SPECIFICATIONS ARE THE PROPERTY OF NorComp AND SHALL NOT BE REPRODUCED, COPIED OR USED AS THE BASIS FOR THE MANUFACTURE OR SALE OF APPARATUS WITHOUT WRITTEN PERMISSION.

DRAWN:
P. JENKINS

DATE:
07/28/2005

UNITS = "as indicated" DO NOT SCALE FROM DRAWING

NorComp

SCALE:
NTS

SHEET OF
1 1

REV
9

DWG NO.

983-YYY-0Y0RYY1