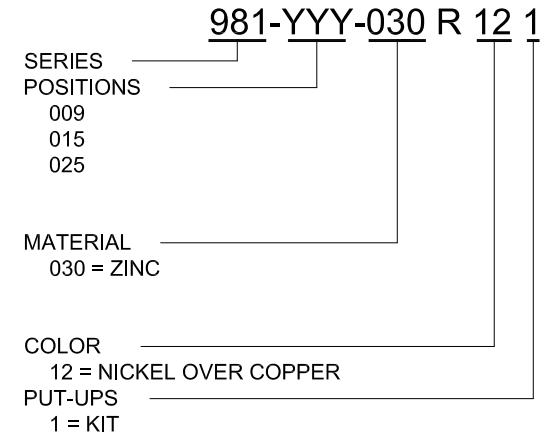
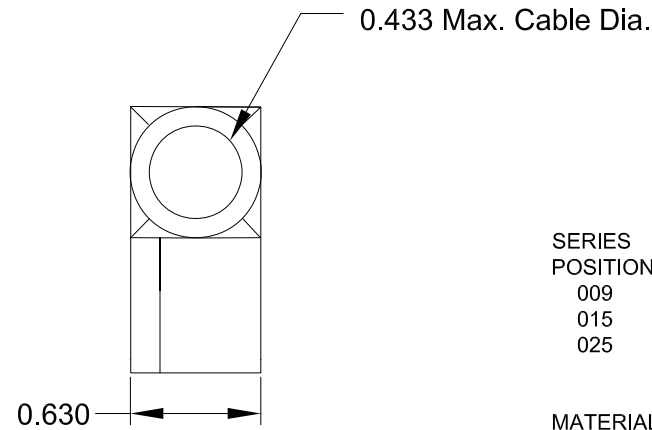
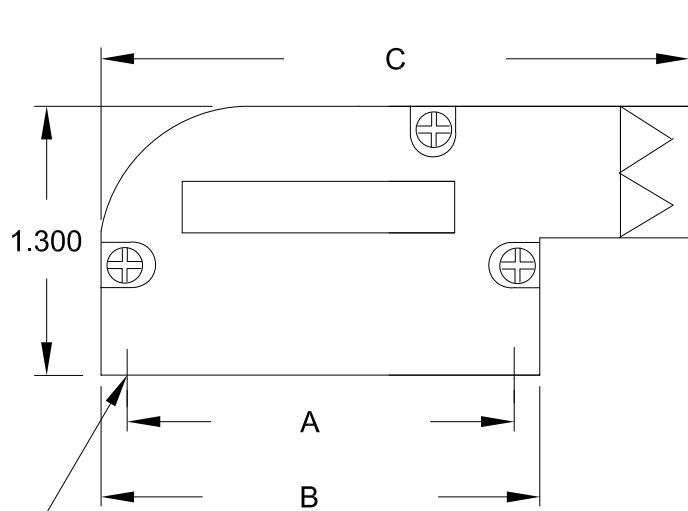


BACK SHELL KIT INCLUDES:

- 2 - BACK SHELL HALVES
- 3 - HOUSING SCREWS
- 1 - GROMMET TREE - VARIOUS SIZES
(NON-CONDUCTIVE GROMMETS)
P/N = 162-000-925R000

DIMENSIONS(in)			
SIZE	A ± 0.010	B ± 0.015	C ± 0.015
9	0.984	1.240	1.850
15	1.312	1.555	2.323
25	1.852	2.106	2.835



4-40 INTERNAL THREADS

MATERIAL: DIE-CAST ZINC ALLOY, NICKEL PLATED
OPERATING TEMPERATURE: -45°C TO +120°C

UNITS = inch

DO NOT SCALE FROM DRAWING

RoHS COMPLIANT

	THESE DRAWINGS AND SPECIFICATIONS ARE THE PROPERTY OF NorComp AND SHALL NOT BE REPRODUCED, COPIED OR USED AS THE BASIS FOR THE MANUFACTURE OF SALE OF APPARATUS WITHOUT WRITTEN PERMISSION.		DRAWN: P. JENKINS	DATE: 07/28/2005
	NorComp		SCALE: NTS	SHEET 1 OF 1
DWG NO. 981-YYY-030R121				