

BACKSHELL KIT INCLUDES:

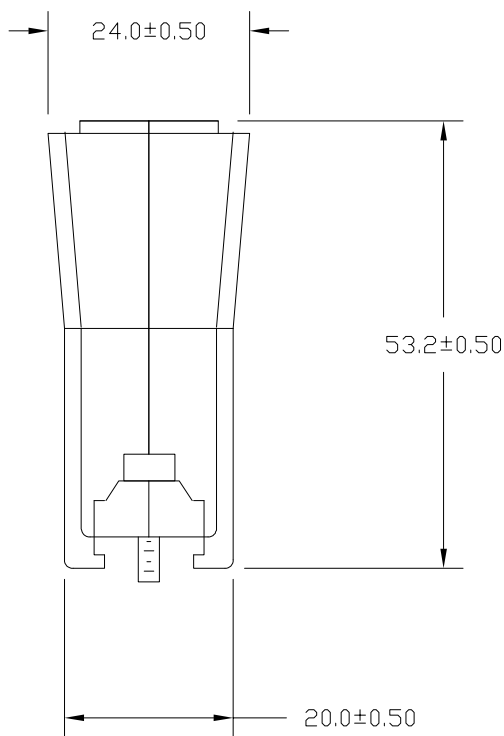
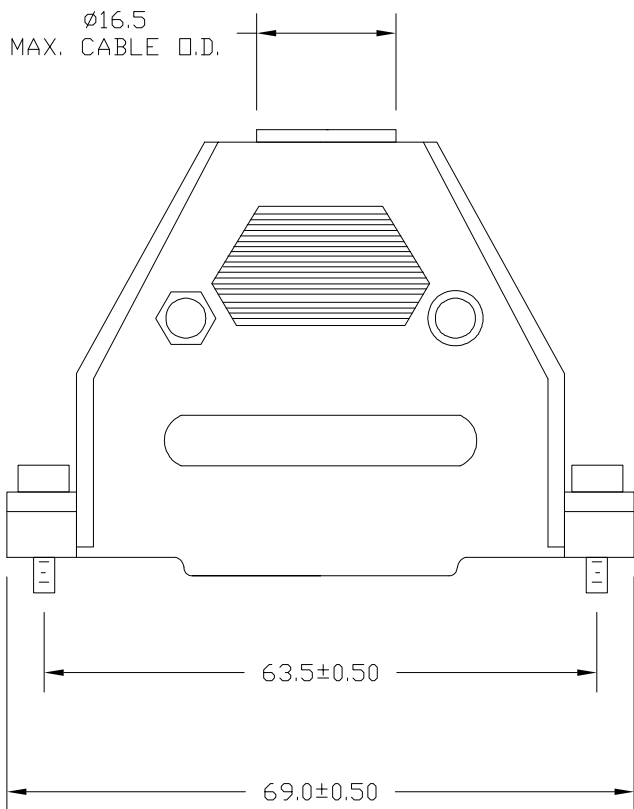
- (2) BACKSHELL HALVES
- (2) HOUSING SCREWS
- (2) HOUSING NUTS
- (2) 4-40 MOUNTING SCREWS
- (2) SADDLE WASHERS
- (2) STRAIN RELIEF CLAMPS
- (2) STRAIN RELIEF SCREWS

METALIZED PLASTIC:

- MATERIAL: ABS HIGH TEMPERATURE PLASTIC UL94HB
- METALIZED PLATING: NICKEL OVER COPPER
- OPERATING TEMP: -35°C TO 85°C

PLASTIC:

- MATERIAL: ABS HIGH TEMPERATURE PLASTIC UL94HB
- OPERATING TEMP: -35°C TO 85°C



977-037-0Y0 R YY 1

SERIES _____
 POSITIONS _____
 037
 MATERIAL _____
 010 = PLASTIC
 020 = METALIZED PLASTIC
 RoHS COMPLIANT _____
 COLOR _____
 03 = GREY (ONLY USE WITH 010 OPTION ABOVE)
 12 = METALIZED (ONLY USE WITH 020 OPTION ABOVE)
 PUT-UP _____
 1 = KIT

RoHS COMPLIANT

UNITS = mm

DO NOT SCALE FROM DRAWING



THESE DRAWINGS AND SPECIFICATIONS ARE THE PROPERTY OF NorComp AND SHALL NOT BE REPRODUCED, COPIED OR USED AS THE BASIS FOR THE MANUFACTURE OR SALE OF APPARATUS WITHOUT WRITTEN PERMISSION.

DRAWN:
J. KADEL
 DATE:
08/22/2019

NorComp

SCALE: NTS	SHEET 1	OF 1	REV 1
---------------	------------	---------	----------

DWG NO. **977-037-0Y0RYY1**