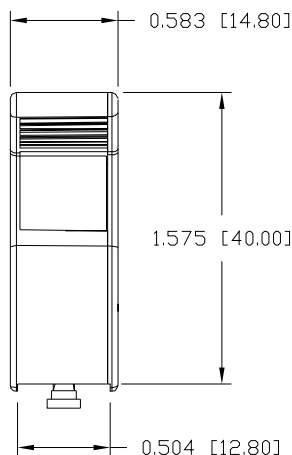
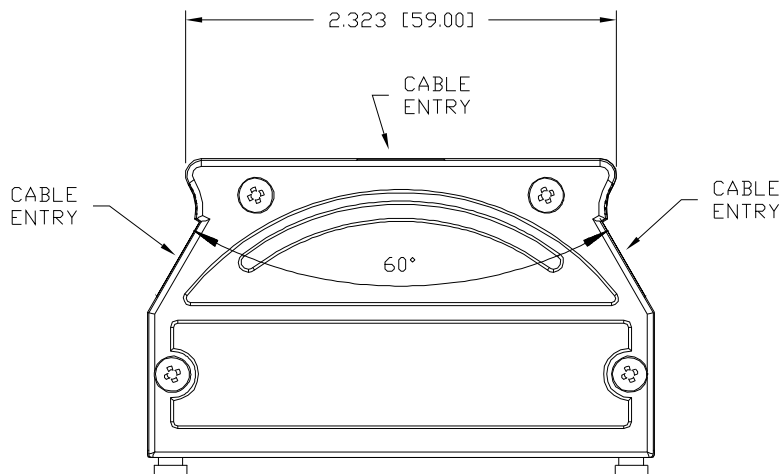
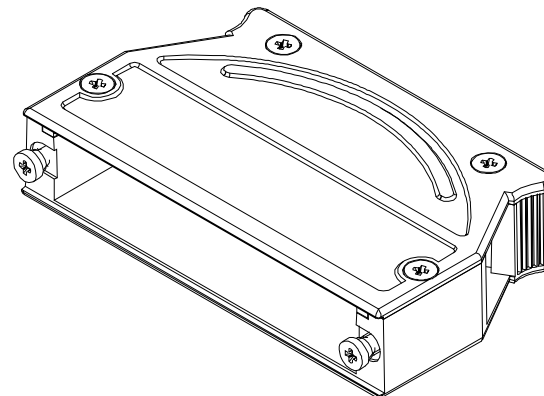


CABLE DIAMETER
0.551 [14.00] MAX

MATERIAL:

- BACKSHELL: ZINC ALLOY
- COVER: ZINC ALLOY
- MOUNTING SCREWS: STEEL, NICKEL PLATED
- HOUSING SCREWS: STEEL, ZINC PLATED
- GROUNDING SCREW: STEEL, ZINC PLATED
- CABLE SLOT COVER: ZINC ALLOY
- OPERATING TEMP: -55°C TO +90°C



BACKSHELL KIT INCLUDES:

- (1) BACKSHELL
- (1) BACKSHELL COVER
- (2) MOUNTING SCREWS (#4-40)
- (4) HOUSING SCREWS (M2.5x0.45)
- (1) GROUNDING SCREW (M2.5x0.45)
- (2) CABLE SLOT COVER

**SEE PAGE 2 FOR CABLE CLAMPS

GROUNDING SCREW (PHILLIPS)



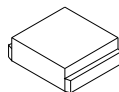
HOUSING SCREW (PHILLIPS)



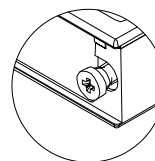
MOUNTING SCREW (PHILLIPS)



CABLE SLOT COVER



The mounting screws included in this kit will not mate with any NorComp current hardware options. If using a NorComp slide lock kit, it is recommended to replace said mounting screws with the mounting screws included in NorComp slide lock kits. Please refer to NorComp 975M Series product page for slide lock hardware options (purchased separately).



UNITS = inch [mm]

DO NOT SCALE FROM DRAWING

RoHS COMPLIANT



THESE DRAWINGS AND SPECIFICATIONS ARE THE PROPERTY OF NorComp AND SHALL NOT BE REPRODUCED, COPIED OR USED AS THE BASIS FOR THE MANUFACTURE OR SALE OF APPARATUS WITHOUT WRITTEN PERMISSION.

DRAWN:
M. SIGMON

DATE:
08/16/2016

NorComp

SCALE:
NTS

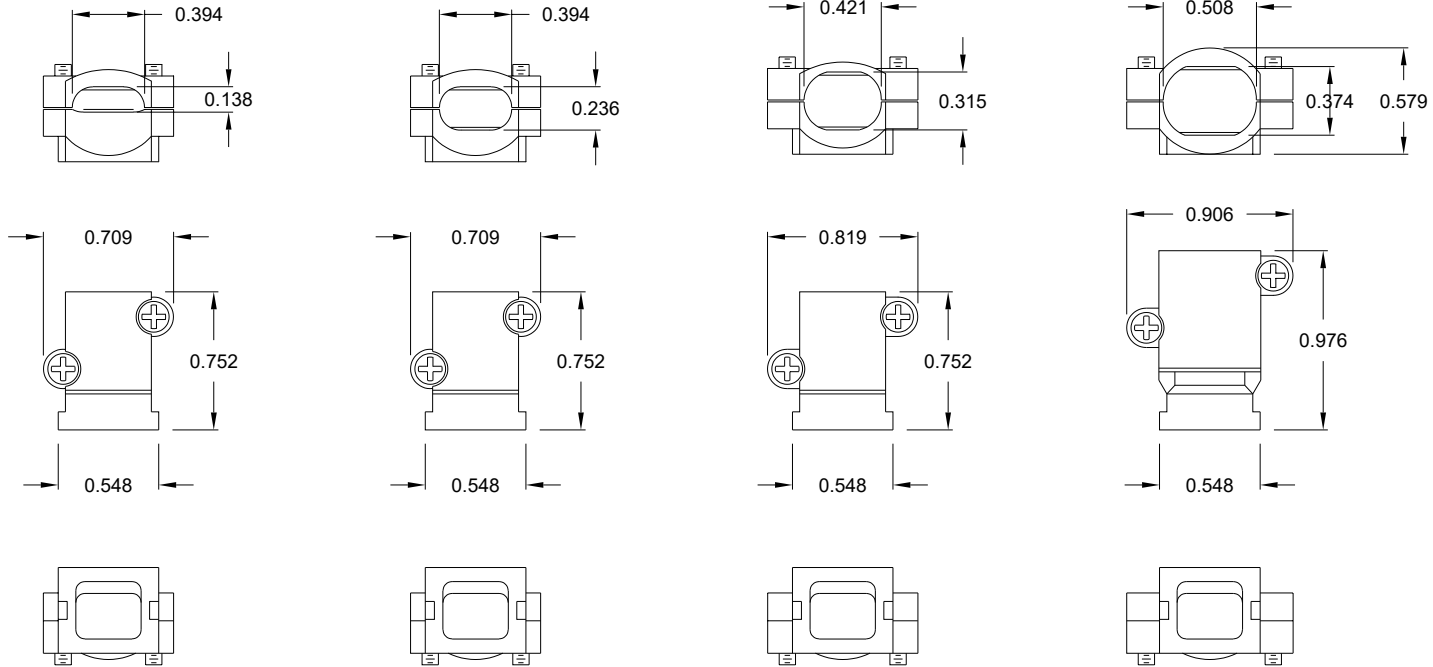
SHEET 1 OF 2

REV 3

DWG NO.

975M037-030R121

CABLE CLAMPS ORDERED SEPARATELY



P/N 955-09-SR-4-7
CABLE RANGE = 0.157 - 0.276

P/N 955-15-SR-7-10
CABLE RANGE = 0.276 - 0.394

P/N 955-25-SR-9-12
CABLE RANGE = 0.354 - 0.472

P/N 955-37-SR-11-14
CABLE RANGE = 0.433 - 0.551

RoHS COMPLIANT

UNITS = inch

DO NOT SCALE FROM DRAWING



THESE DRAWINGS AND SPECIFICATIONS ARE THE PROPERTY OF NorComp AND SHALL NOT BE REPRODUCED, COPIED OR USED AS THE BASIS FOR THE MANUFACTURE OR SALE OF APPARATUS WITHOUT WRITTEN PERMISSION.

DRAWN:
M. SIGMON

DATE:
08/16/2016

NorComp

SCALE:
NTS

SHEET 2 OF 2

REV 3

DWG NO.

975M037-030R121