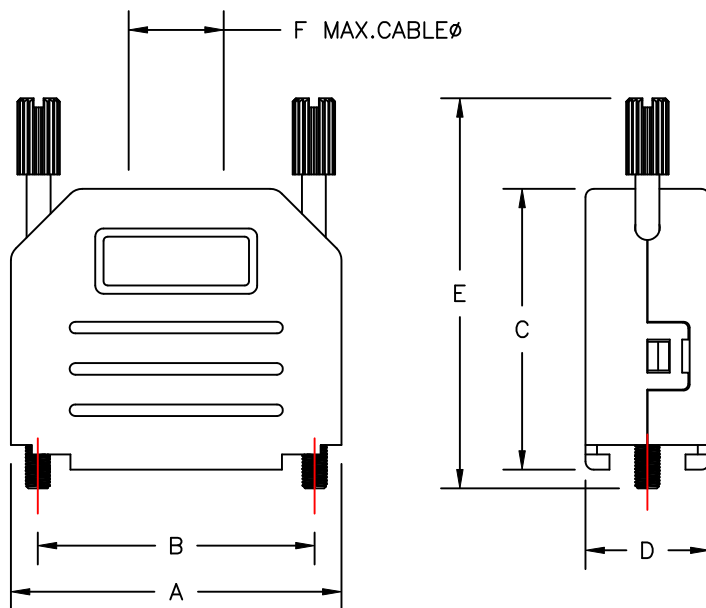


SERIES \_\_\_\_\_  
 POSITIONS \_\_\_\_\_  
 015  
 MATERIAL \_\_\_\_\_  
 01S = PLASTIC/SLIM LINE  
 COLOR: \_\_\_\_\_  
 01 = BLACK  
 03 = LIGHT GREY  
 04 = GREEN  
 06 = RED  
 07 = BLUE  
 08 = YELLOW  
 11 = DEC GREY  
 PUT-UPS \_\_\_\_\_  
 1 = KIT

**BACKSHELL KIT INCLUDES:**

- (1) BACKSHELL
- (2) 4-40 THUMBSCREWS
- (1) PLASTIC STRAIN RELIEF
- (1) METAL STRAIN RELIEF CLAMP
- (2) STRAIN RELIEF SCREWS

TORQUE VALUE ON PLASTIC FOR STRAIN RELIEF SCREWS = 4 INCH POUNDS MAX.



**\*\*SEE PAGE 2 FOR PANTONE COLOR CODES**


	A	B	C	D	E	F
(TOL.) INCHES	± 0.032	± 0.012	± 0.020	± 0.020	± 0.020	
MM	± 0.80	± 0.30	± 0.50	± 0.50	± 0.50	
INCHES	1.575	1.312	1.339	.591	1.858	0.453
MM	40.00	33.32	34.00	15.00	47.20	11.50

MATERIAL: POLYAMIDE PA66 - UL 94H-B  
 MANY COLORS AVAILABLE (SEE SHEET 2)

THUMBSCREWS: STEEL, BLACK OXIDE (FOR BLACK HOODS)  
 STEEL, ZINC PLATED (FOR COLORED HOODS)

OPERATING TEMP: -55°C TO +110°C

**RoHS COMPLIANT**

	THESE DRAWINGS AND SPECIFICATIONS ARE THE PROPERTY OF NorComp AND SHALL NOT BE REPRODUCED, COPIED OR USED AS THE BASIS FOR THE MANUFACTURE OF SALE OF APPARATUS WITHOUT WRITTEN PERMISSION.		DRAWN: <b>M. SIGMON</b>	DATE: <b>07-06-15</b>
			CHECKED:	DATE:
<h1>NorComp</h1>		SCALE:	SHEET <b>1</b> OF <b>2</b>	REV <b>0</b>
		DWG NO. <b>972-015-01SRYY1</b>		

COLOR RANGE		
COLOR	UPPER	LOWER
01 = BLACK	PANTONE BLACK 3C	PANTONE BLACK 3C
03 = LIGHT GREY	427C	427C
04 = GREEN	7731C	7732C
06 = RED	186C	187C
07 = BLUE	2190C	2191C
08 = YELLOW	108C	109C
11 = DEC GREY	7527C	7534C



THESE DRAWINGS AND SPECIFICATIONS ARE THE PROPERTY OF NorComp AND SHALL NOT BE REPRODUCED, COPIED OR USED AS THE BASIS FOR THE MANUFACTURE OF SALE OF APPARATUS WITHOUT WRITTEN PERMISSION.

DRAWN:  
**M. SIGMON**

DATE:  
**07-06-15**

CHECKED:

DATE:

**NorComp**

SCALE: SHEET 2 OF 2 REV 0

DWG NO. **972-015-01SRYY1**