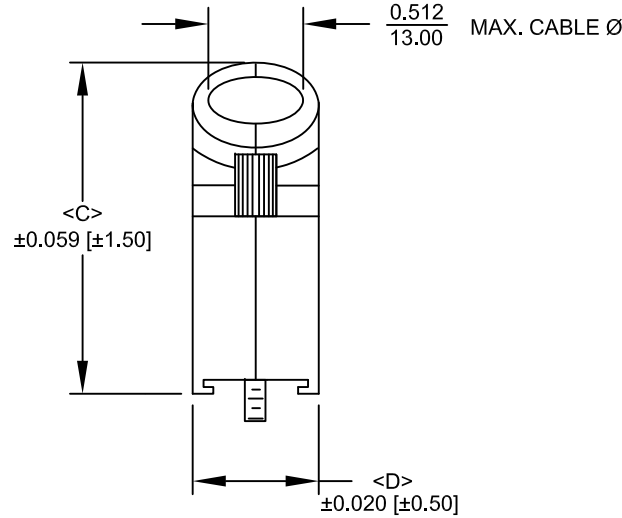
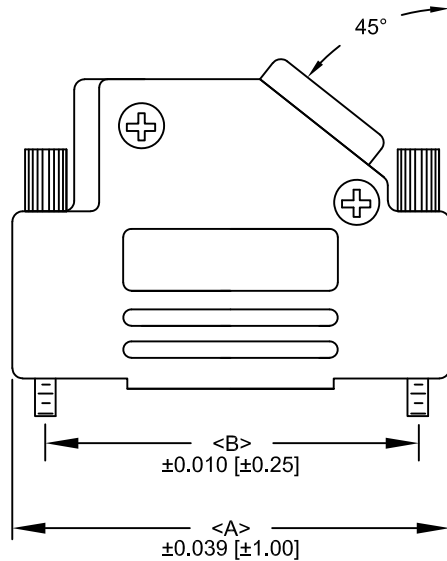


DESCRIPTION: 971 SERIES D-SUB BACKSHELL

BACKSHELL KIT INCLUDES:

- (2) BACKSHELL HALVES
- (2) 4-40 THUMBSCREWS
- (2) HOUSING SCREWS
- (1) COMPRESSION RING - VARIOUS SIZES  
 $\varnothing 0.157$  [4.0],  $\varnothing 0.197$  [5.0],  $\varnothing 0.276$  [7.0],  $\varnothing 0.354$  [9.0]

NOTE: 9 POSITION HAS ONLY 1 THUMBSCREW  
 (OPPOSITE CABLE ENTRY)



971-YYY-040R011


SERIES \_\_\_\_\_  
 POSITIONS \_\_\_\_\_  
 009 \_\_\_\_\_  
 015 \_\_\_\_\_  
 025 \_\_\_\_\_  
 037 \_\_\_\_\_  
 MATERIAL \_\_\_\_\_  
 040 = ZINC \_\_\_\_\_  
 COLOR: \_\_\_\_\_  
 01 = BLACK \_\_\_\_\_  
 PUT-UPS \_\_\_\_\_  
 1 = KIT \_\_\_\_\_

DIMENSIONS (in/mm)				
POS.	A	B	C	D
9	1.220	.984	1.429	.570
	30.99	24.99	36.30	14.48
15	1.556	1.312	1.587	.570
	39.50	33.32	40.30	14.48
25	2.094	1.852	1.587	.570
	53.20	47.04	40.30	14.48
37	2.744	2.500	1.587	.570
	69.70	63.50	40.30	14.48

MATERIAL: DIE CAST ZINC ALLOY  
 PLATING: BLACK ENAMEL  
 JACKSCREWS: STEEL - BLACK OXIDE  
 HOOD SCREWS: STEEL - BLACK OXIDE  
 COMPRESSION INSERTS: ABS UL 94-HB  
 OPERATING TEMP:  $-40^\circ\text{C}$  TO  $+120^\circ\text{C}$

UNITS = INCHES [MM]

RoHS COMPLIANT

	THESE DRAWINGS AND SPECIFICATIONS ARE THE PROPERTY OF NorComp AND SHALL NOT BE REPRODUCED, COPIED OR USED AS THE BASIS FOR THE MANUFACTURE OR SALE OF APPARATUS WITHOUT WRITTEN PERMISSION.		DRAWN: PAM JENKINS	DATE: 6-10-05
	<h1>NorComp</h1>		SCALE NTS	SHEET 1 OF 1
			DWG NO. 971-YYY-040R011	