

SPECIFICATIONS:

MATERIALS:

BACKSHELL: DIE CAST NICKEL PLATED ZINC ALLOY
 JACKSCREWS: ZINC PLATED STEEL
 HOOD SCREWS: ZINC PLATED STEEL
 COMPRESSION INSERTS: ABS, UL 94-HB

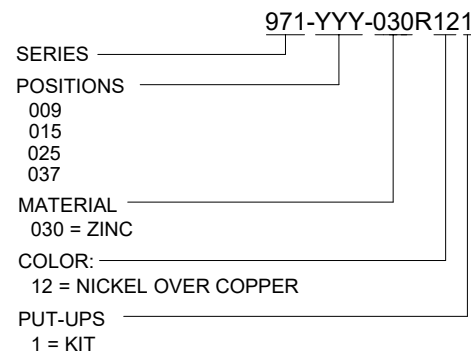
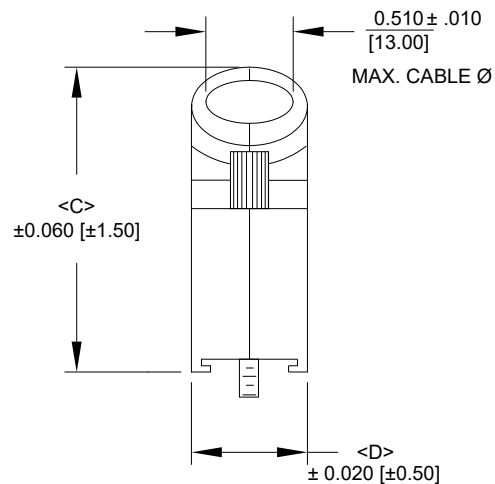
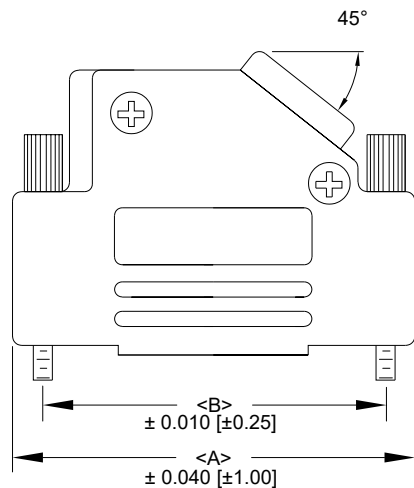
ENVIRONMENT:

OPERATING TEMPERATURE: -40°C TO +120°C

BACKSHELL KIT INCLUDES:
 (2) BACKSHELL HALVES
 (2) 4-40 THUMBSCREWS
 (2) HOUSING SCREWS (RECOMMENDED TORQUE 5.2 IN-LBS)
 (1) COMPRESSION INSERTS - VARIOUS SIZES
 Ø0.157 [4.0], Ø0.197 [5.0], Ø0.276 [7.0], Ø0.354 [9.0]

NOTE: 9 POSITION HAS ONLY 1 THUMBSCREW (OPPOSITE CABLE ENTRY)

DIMENSIONS(in/mm)				
SIZE	A	B	C	D
9	1.220	0.984	1.429	0.570
	30.99	24.99	36.30	14.48
15	1.556	1.312	1.587	0.570
	39.50	33.32	40.30	14.48
25	2.094	1.852	1.587	0.570
	53.20	47.04	40.30	14.48
37	2.744	2.500	1.587	0.570
	69.70	63.50	40.30	14.48



RoHS COMPLIANT



THESE DRAWINGS AND SPECIFICATIONS ARE THE PROPERTY OF NorComp AND SHALL NOT BE REPRODUCED, COPIED OR USED AS THE BASIS FOR THE MANUFACTURE OR SALE OF APPARATUS WITHOUT WRITTEN PERMISSION.

DRAWN:
P. JENKINS

DATE:
06/10/2005

UNITS = inch [mm]

DO NOT SCALE FROM DRAWING

NorComp

SCALE:
NTS

SHEET OF
1 1

REV
10

DWG NO.

971-YYY-030R121