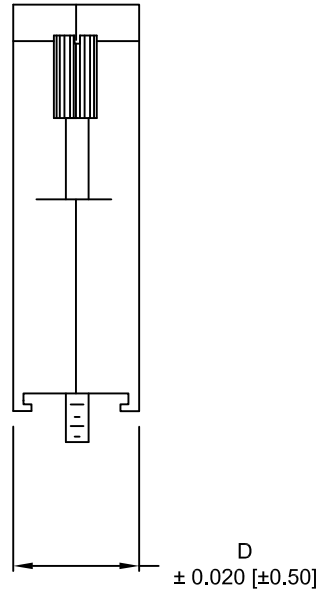
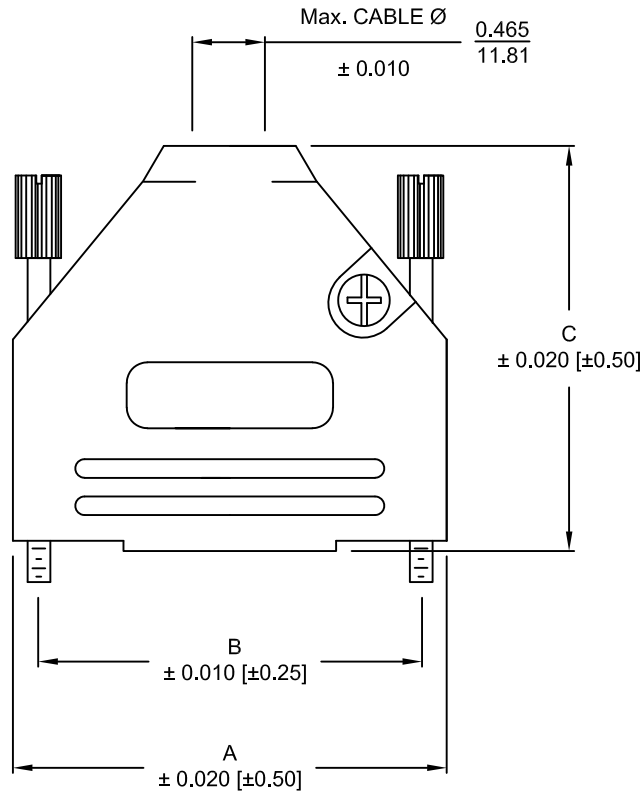


DESCRIPTION: 970 SERIES D-SUB BACKSHELL

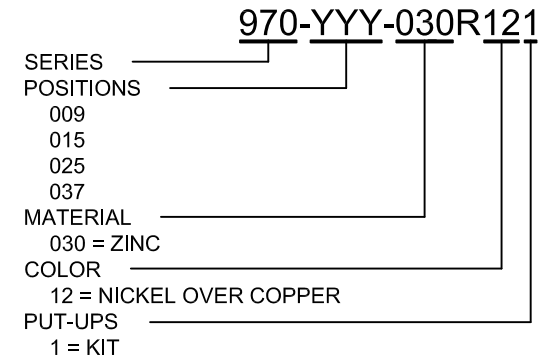
**BACKSHELL KIT INCLUDES:**

- (2) BACKSHELL HALVES
- (2) 4-40 THUMBSCREWS
- (2) HOUSING SCREWS
- (1) SET OF COMPRESSION INSERTS - VARIOUS SIZES  
Ø0.157 [4.0], Ø0.197 [5.0], Ø0.276 [7.0], Ø0.354 [9.0]
- (1) COMPRESSION SPRING

MATERIAL: DIE-CAST ZINC ALLOY  
 PLATING: NICKEL OVER COPPER  
 JACKSCREWS: STEEL, ZINC PLATED  
 M3 HOODSCREWS: STEEL, ZINC PLATED  
 COMPRESSION INSERT: ABS UL 94-HB  
 COMPRESSION SPRING: STEEL, NICKEL PLATED  
 OPERATING TEMP: -40°C TO +120°C



DIMENSIONS (IN.)				
No. OF PINS	A	B	C	D
9	1.228	0.984	1.571	0.590
	31.19	24.99	39.90	14.99
15	1.555	1.312	1.634	0.590
	39.50	33.32	41.50	14.99
25	2.102	1.852	1.913	0.590
	53.39	47.04	48.59	14.99
37	2.744	2.500	2.110	0.590
	69.70	63.50	53.59	14.99



UNITS = INCHES [MM]



THESE DRAWINGS AND SPECIFICATIONS ARE THE PROPERTY OF NorComp AND SHALL NOT BE REPRODUCED, COPIED OR USED AS THE BASIS FOR THE MANUFACTURE OR SALE OF APPARATUS WITHOUT WRITTEN PERMISSION.

DRAWN: PAM JENKINS

DATE: 6-10-05

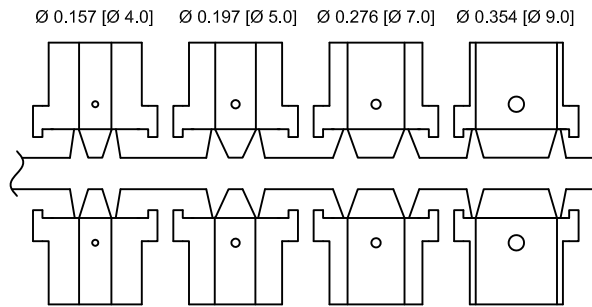
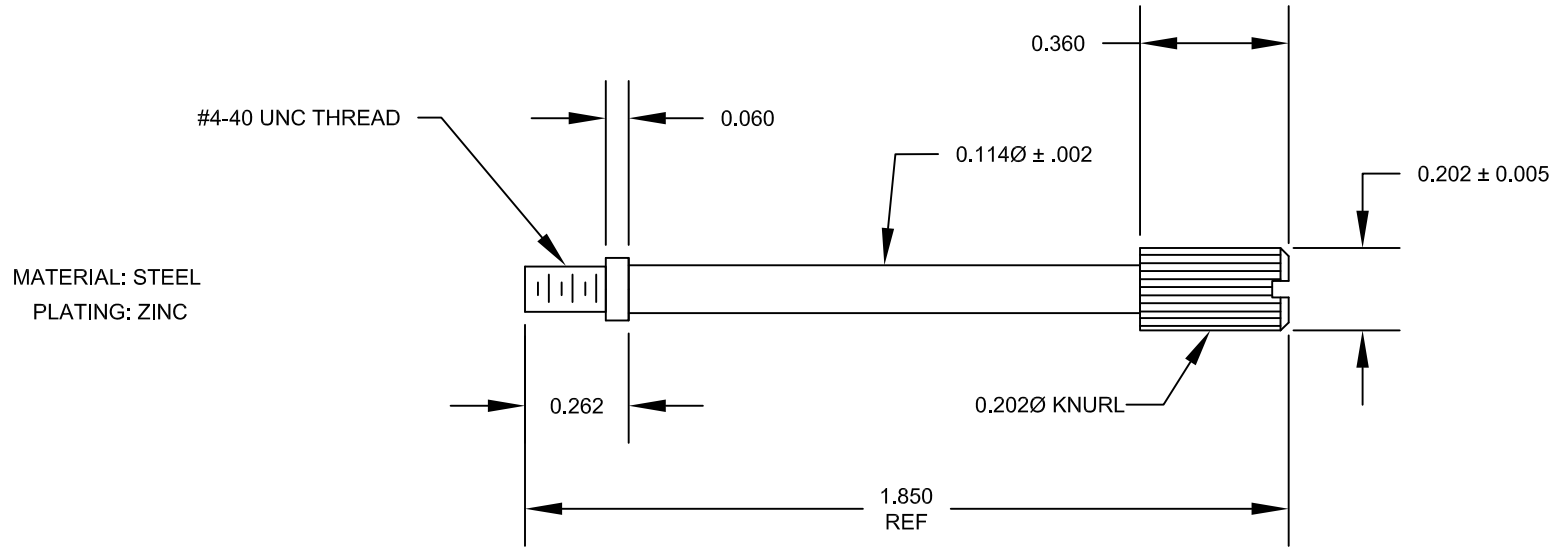
**NorComp**

SCALE NTS SHEET 1 OF 2 REV 14

DWG NO. 970 -YYY-030R011

RoHS COMPLIANT

DESCRIPTION: 970 SERIES D-SUB BACKSHELL



PLASTIC INSERTS

UNITS = INCHES [MM]



THESE DRAWINGS AND SPECIFICATIONS ARE THE PROPERTY OF NorComp AND SHALL NOT BE REPRODUCED, COPIED OR USED AS THE BASIS FOR THE MANUFACTURE OR SALE OF APPARATUS WITHOUT WRITTEN PERMISSION.

DRAWN:  
PAM JENKINS

DATE:  
6-10-05

**NorComp**

SCALE NTS	SHEET 2	OF 2	REV 14
--------------	------------	---------	-----------

DWG NO. 970 -YYY-030R011

RoHS COMPLIANT