

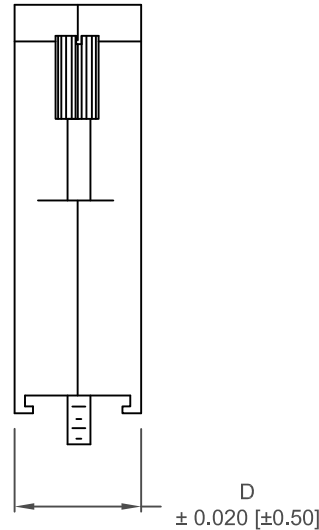
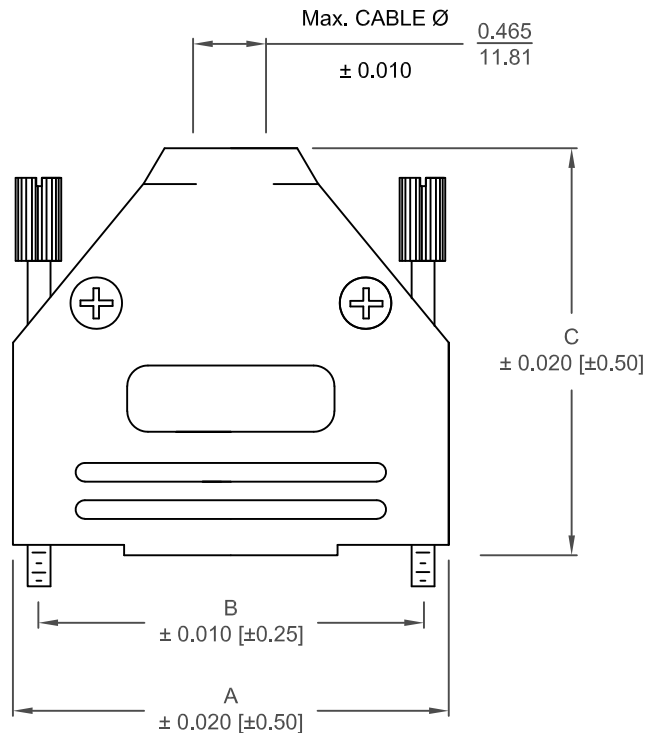
DESCRIPTION: 970 SERIES D-SUB BACKSHELL

BACKSHELL KIT INCLUDES:

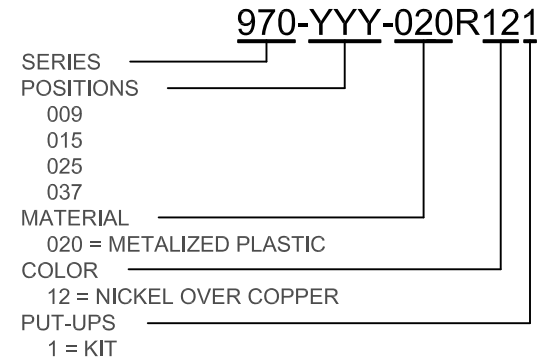
- (2) BACKSHELL HALVES
- (2) 4-40 THUMBSCREWS
- (2) HOUSING SCREWS/NUTS
- (1) SET OF COMPRESSION INSERTS - VARIOUS SIZES
 $\varnothing 0.157$ [4.0], $\varnothing 0.197$ [5.0], $\varnothing 0.276$ [7.0], $\varnothing 0.354$ [9.0]

MATERIAL: ABS VH-0800 / NICKEL PLATED
 UL 94-HB
 JACKSCREWS: STEEL
 M3 HOODSCREWS: STEEL
 COMPRESSION INSERT: ABS UL 94-HB
 M3 NUT: STEEL
 OPERATING TEMP: -30°C TO +90°C

**NOTE: 3 in-lbs IS RECOMMENDED TORQUE FOR HOUSING SCREWS



DIMENSIONS (in/mm)				
No. OF PINS	A	B	C	D
9	1.228	0.984	1.571	0.590
	31.19	24.99	39.90	14.99
15	1.555	1.312	1.634	0.590
	39.50	33.32	41.50	14.99
25	2.102	1.852	1.913	0.590
	53.39	47.04	48.59	14.99
37	2.744	2.500	2.110	0.590
	69.70	63.50	53.59	14.99



UNITS = INCHES [MM]



THESE DRAWINGS AND SPECIFICATIONS ARE THE PROPERTY OF NorComp AND SHALL NOT BE REPRODUCED, COPIED OR USED AS THE BASIS FOR THE MANUFACTURE OR SALE OF APPARATUS WITHOUT WRITTEN PERMISSION.

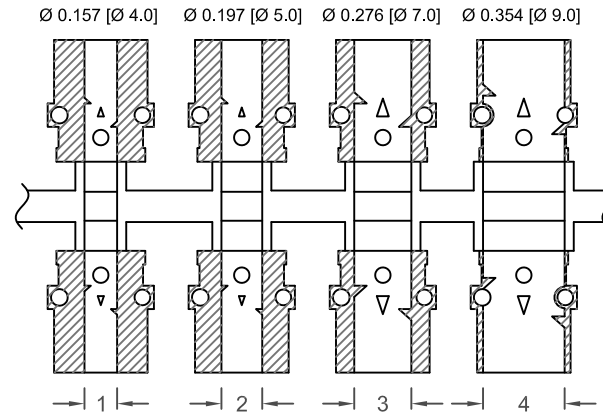
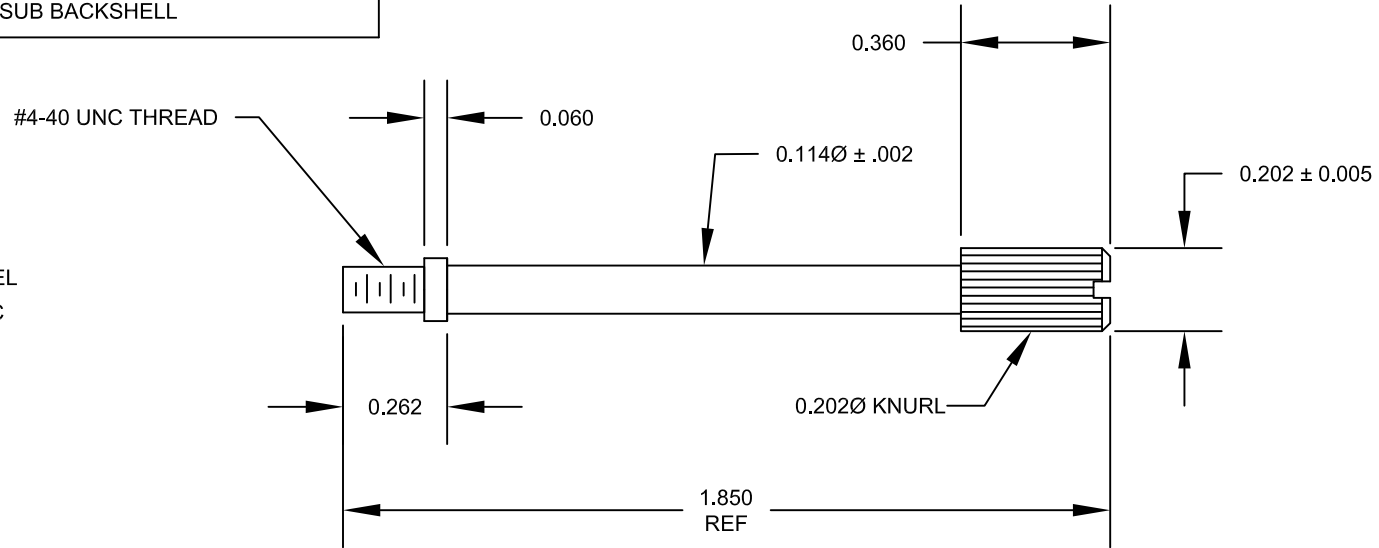
DRAWN: PAM JENKINS		DATE: 6-09-05	
SCALE NTS	SHEET 1	OF 2	REV 14
DWG NO.		970-YYY-020R121	

RoHS COMPLIANT

NorComp

DESCRIPTION: 970 SERIES D-SUB BACKSHELL

MATERIAL: STEEL
PLATING: ZINC



PLASTIC INSERTS

UNITS = INCHES [MM]



THESE DRAWINGS AND SPECIFICATIONS ARE THE PROPERTY OF NorComp AND SHALL NOT BE REPRODUCED, COPIED OR USED AS THE BASIS FOR THE MANUFACTURE OR SALE OF APPARATUS WITHOUT WRITTEN PERMISSION.

DRAWN: PAM JENKINS		DATE: 6-09-05	
SCALE NTS	SHEET 2	OF 2	REV 14
DWG NO.		970-YYY-020R121	

RoHS COMPLIANT

NorComp