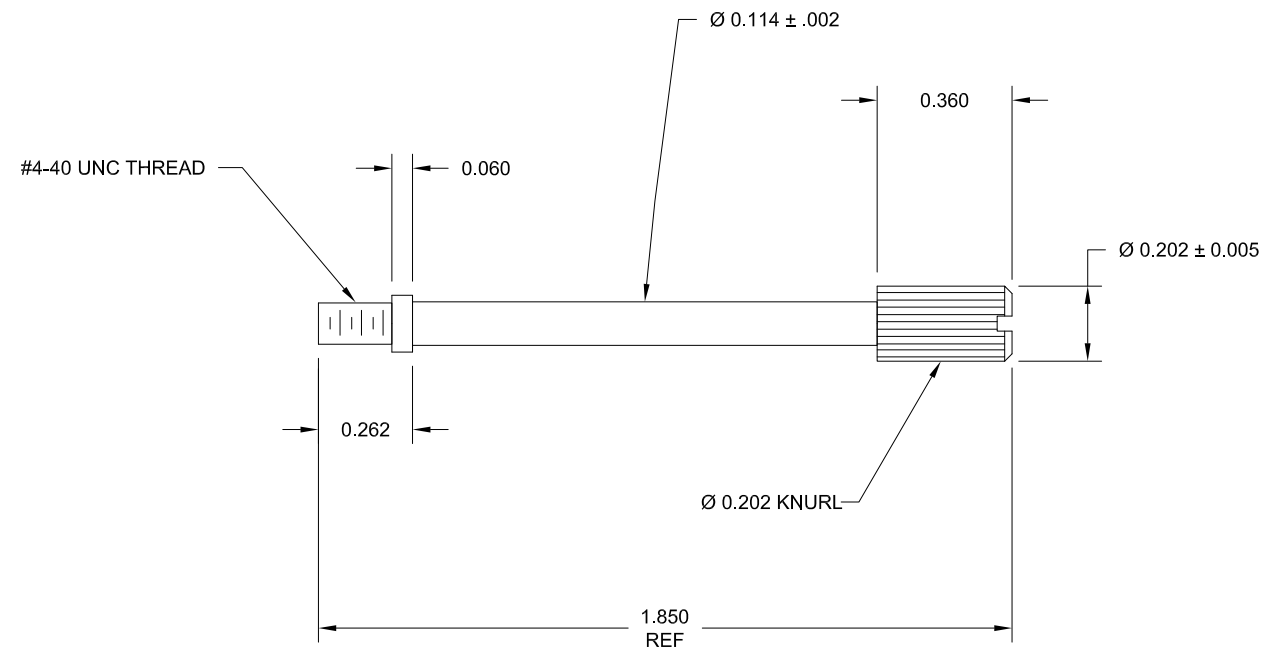


MATERIAL: STEEL  
PLATING: ZINC



FOR USE IN SERIES #'S: 952, 970, 971\*, 972  
\*FOR 971, CAN ONLY BE USED TO REPLACE (1) SCREW DUE TO INTERFERENCE

RoHS COMPLIANT

UNITS = inch

DO NOT SCALE FROM DRAWING

**NC**  
THESE DRAWINGS AND SPECIFICATIONS ARE THE PROPERTY OF NorComp AND SHALL NOT BE REPRODUCED, COPIED OR USED AS THE BASIS FOR THE MANUFACTURE OR SALE OF APPARATUS WITHOUT WRITTEN PERMISSION.

DRAWN:  
**P. JENKINS**  
DATE:  
03/04/2008

**NorComp**

SCALE: NTS	SHEET 1	OF 1	REV 3
DWG NO.			<b>970-RTHUMBSCREW</b>