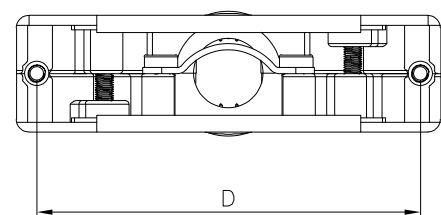
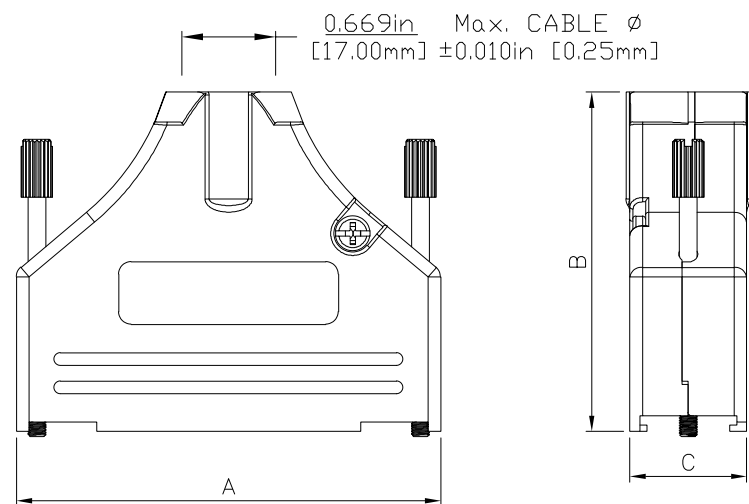


DESCRIPTION: 970 SERIES D-SUB BACKSHELL



BACKSHELL MATERIAL: DIE-CAST ZINC ALLOY  
 PLATING: NICKEL  
 JACKSCREWS: STEEL:ZN PLATED  
 M3 HOODSCREWS: STEEL:ZN PLATED  
 CLAMP SCREWS: STEEL:ZN PLATED  
 METAL CLAMP: STEEL:NICKEL PLATED  
 COMPRESSION INSERT: ABS,UL 94-HB,BLACK COLOR  
 OPERATING TEMP: -40°C TO+120°C

BACKSHELL KIT INCLUDES:  
 (2)BACKSHELL HALVES  
 (2)4-40 THUMBSCREWS  
 (2)HOUSING SCREWS  
 (2)CLAMP SCREWS  
 (1)METAL CLAMP  
 (1)SET OF COMPRESSION INSERTS-VARIOUS SIZES  
 DIAMETERS 11mm(.433"), 12.5mm(.492"), 14mm(.551"), 15mm(.591")  
 & 17mm [0.669"] (WITHOUT GROMMET)

\*\*NOTE: 3 in-lbs IS RECOMMEND TORQUE FOR HOUSING SCREWS

\* UNLESS OTHERWISE SPECIFIED TOLERANCES ON DECIMAL IS: ANGLE ± 1°  
 UNIT: MM .XX ± 0.35

DIMENSIONS(mm/in)				
SIZE	A $\pm\frac{.50}{\pm 0.02}$	B $\pm\frac{.50}{\pm 0.02}$	C $\pm\frac{.50}{\pm 0.02}$	D $\pm\frac{.25}{\pm 0.01}$
50	67.50 2.657	54.00 2.126	18.70 0.736	61.00 2.402

970-050-030R121

SERIES \_\_\_\_\_  
 POSITIONS \_\_\_\_\_  
 050  
 MATERIAL \_\_\_\_\_  
 030 = ZINC ALLOY  
 COLOR \_\_\_\_\_  
 12 = NICKEL OVER COPPER  
 PUT-UPS \_\_\_\_\_  
 1 = KIT

RoHS COMPLIANT

UNITS = "as specified" DO NOT SCALE FROM DRAWING



THESE DRAWINGS AND SPECIFICATIONS ARE THE PROPERTY OF NorComp AND SHALL NOT BE REPRODUCED, COPIED OR USED AS THE BASIS FOR THE MANUFACTURE OR SALE OF APPARATUS WITHOUT WRITTEN PERMISSION.

DRAWN:  
M. SIGMON

DATE:  
04/23/2012

NorComp

SCALE: NTS	SHEET 1	OF 1	REV 1
---------------	------------	---------	----------

DWG NO. 970-050-030R121