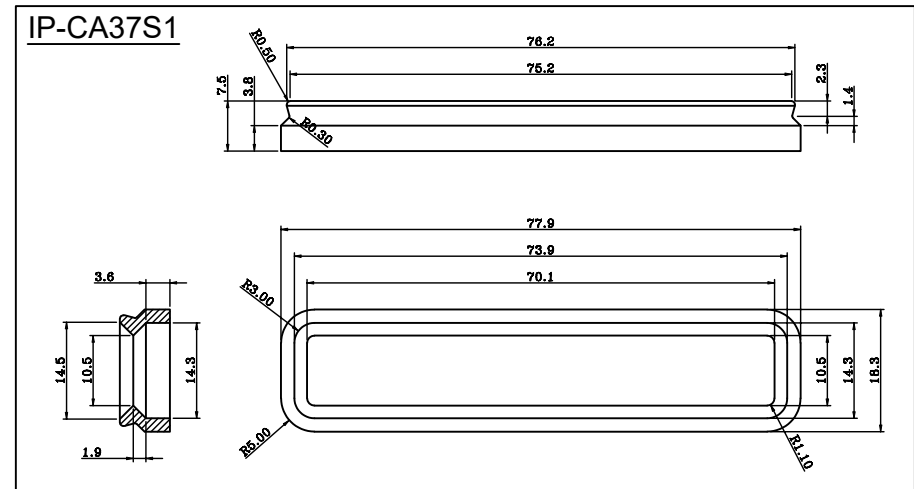
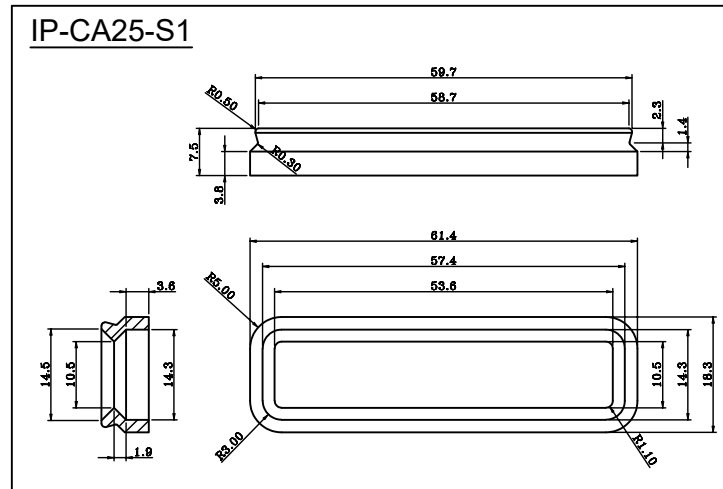
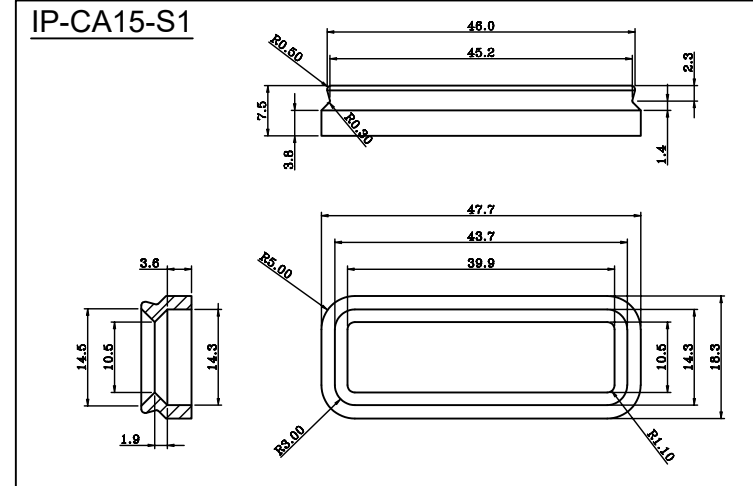
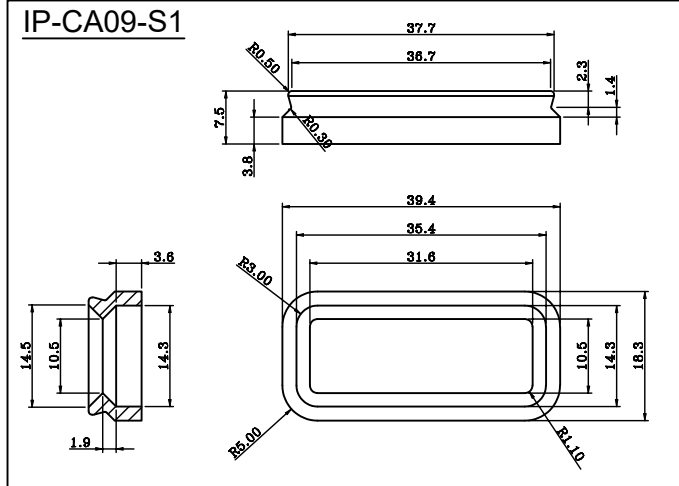


# IP-CAYY-S1

09 = 9 POSITION  
 15 = 15 POSITION  
 25 = 25 POSITION  
 37 = 37 POSITION

TO BE USED WITH NORCOMP:

967-YYY-CAP SERIES  
 967-YYY-010R011 SERIES



RoHS COMPLIANT

UNITS = mm

DO NOT SCALE FROM DRAWING



THESE DRAWINGS AND SPECIFICATIONS ARE THE PROPERTY OF NorComp AND SHALL NOT BE REPRODUCED, COPIED OR USED AS THE BASIS FOR THE MANUFACTURE OR SALE OF APPARATUS WITHOUT WRITTEN PERMISSION.

DRAWN:

J. KADEL

DATE:

11/11/2022

NorComp

SCALE:

NTS

SHEET

OF

1

1

REV

1

DWG NO.

IP-CAYY-S1