
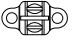

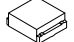


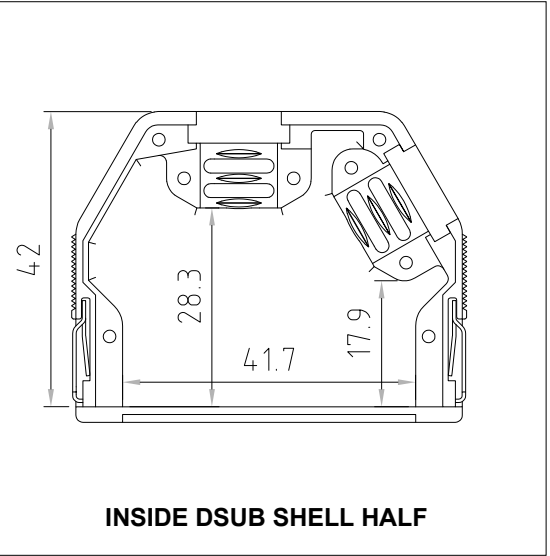
DESCRIPTION: QUICK RELEASE - BLACK & METALIZED PLASTIC

SPECIFICATIONS:

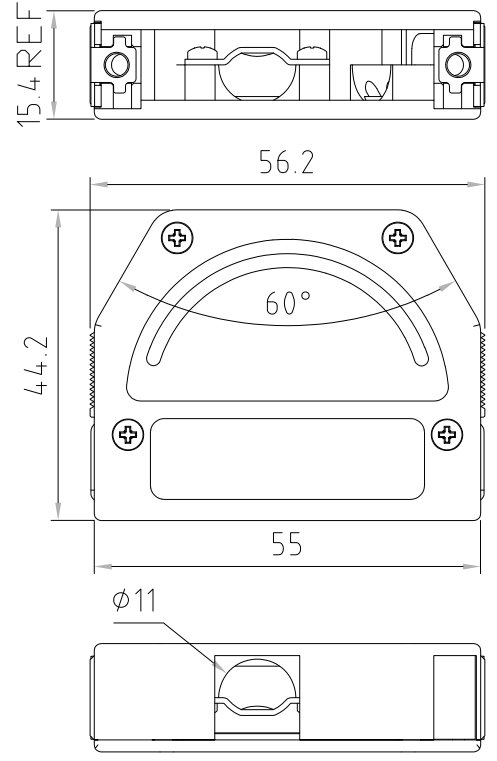
MATERIAL:
 BLACK PLASTIC: ABS PLASTIC, SICOFLEX, UL94V-0
 METALIZED PLASTIC: NICKEL PLATED ABS POLYLAC PA-795
 TEMP RATING: 0°C TO 80°C

BACKSHELL KIT INCLUDES:

- (2) BACKSHELL HALVES
-  (4) MOUNTING SCREWS // SELF TAPPING
-  (1) STRAIN RELIEF CLAMP
-  (2) STRAIN RELIEF SCREW // SELF TAPPING
-  (1) BLIND PLATE/PLUG



INSIDE DSUB SHELL HALF



955-025-YYYRYY1

SERIES _____
 POSITIONS _____
 025
 MATERIAL _____
 010 = PLASTIC
 020 = METALIZED PLASTIC
 COLOR _____
 01 = BLACK (ONLY FOR PLASTIC)
 12 = METALIZED (ONLY FOR METALIZED PLASTIC)
 PUT-UP _____
 1 = KIT

**ADDITIONAL CABLE CLAMP ORDERED SEPARATELY
 SEE NORCOMP PRODUCT PAGE - PART #955-25-SR-9-12**

RoHS COMPLIANT



THESE DRAWINGS AND SPECIFICATIONS ARE THE PROPERTY OF NorComp AND SHALL NOT BE REPRODUCED, COPIED OR USED AS THE BASIS FOR THE MANUFACTURE OR SALE OF APPARATUS WITHOUT WRITTEN PERMISSION.

DRAWN:
 J. F. KADEL
 DATE:
 11/11/2022

UNITS = mm

DO NOT SCALE FROM DRAWING

NorComp

SCALE: NTS	SHEET 1	OF 1	REV 0
DWG NO.		955-025-YYYRYY1	