

DESCRIPTION: QUICK RELEASE - DIE CAST

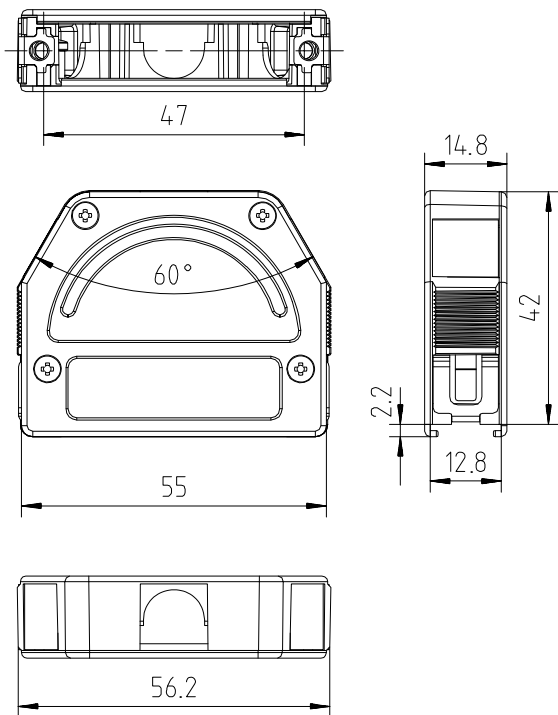
**SPECIFICATIONS:**

MATERIAL:

ZINC ALLOY, ZAMAK Z0410

TEMP RATING:

-40°C to +90°C



**BACKSHELL KIT INCLUDES:**

(2) BACKSHELL HALVES

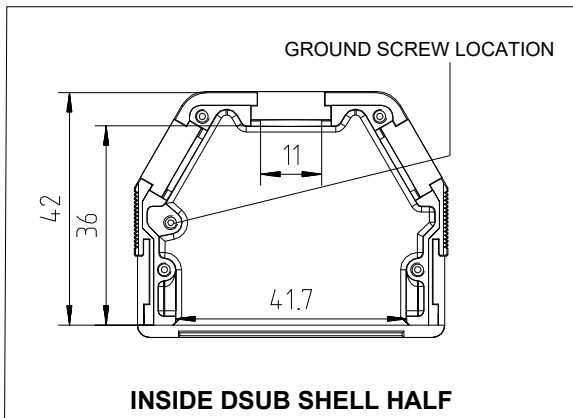
 (4) MOUNTING SCREWS // M2.5

 (1) GROUNDING SCREW // M2.5

 (2) BLIND PLATE/PLUG

**955-025-030R121**

SERIES \_\_\_\_\_  
 POSITIONS \_\_\_\_\_  
 025 \_\_\_\_\_  
 MATERIAL \_\_\_\_\_  
 030 = DIE CAST \_\_\_\_\_  
 COLOR \_\_\_\_\_  
 12 = METAL(IZED) \_\_\_\_\_  
 PUT-UP \_\_\_\_\_  
 1 = KIT \_\_\_\_\_



**ADDITIONAL CABLE CLAMP ORDERED SEPARATELY  
SEE NORCOMP PRODUCT PAGE - PART #955-25-SR-9-12**

RoHS COMPLIANT



THESE DRAWINGS AND SPECIFICATIONS ARE THE PROPERTY OF NorComp AND SHALL NOT BE REPRODUCED, COPIED OR USED AS THE BASIS FOR THE MANUFACTURE OR SALE OF APPARATUS WITHOUT WRITTEN PERMISSION.

DRAWN:  
J. F. KADEL

DATE:  
11/14/2022

UNITS = mm

DO NOT SCALE FROM DRAWING

NorComp

SCALE: NTS	SHEET 1	OF 1	REV 0
---------------	------------	---------	----------

DWG NO. 955-025-030R121