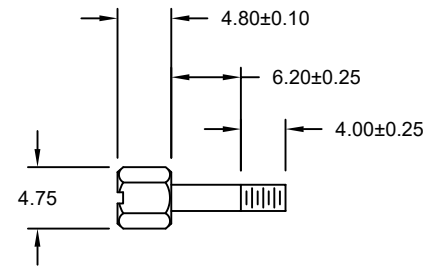
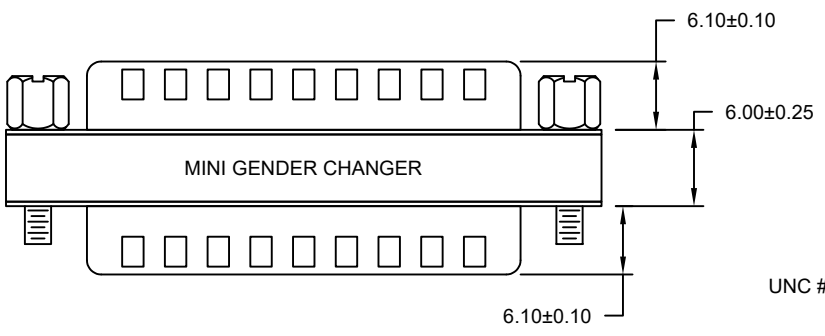
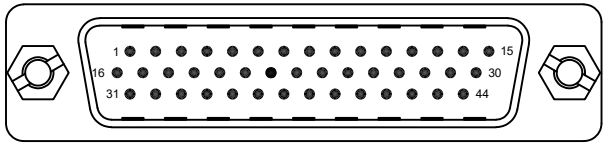


SPECIFICATIONS:

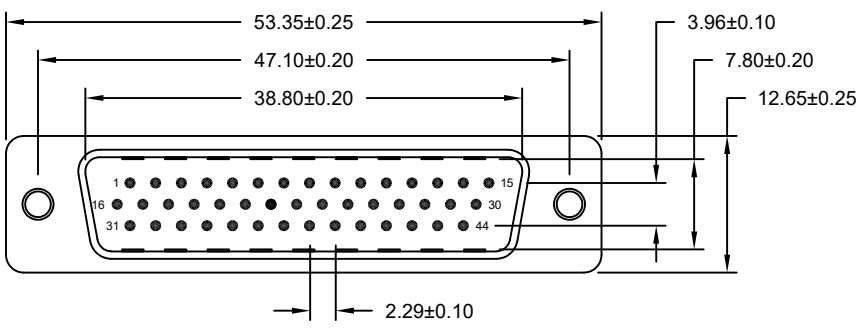
MATERIALS:
 HOUSING: PBT, UL94 V-0
 CONTACTS: GOLD FLASH PLATED BRASS
 SHELL: TIN PLATED STEEL

ELECTRICAL:
 RATED CURRENT: 3A
 WORKING VOLTAGE: 250V
 INSULATION RESISTANCE: 1000 MOhms MIN.
 CONTACT RESISTANCE: 15 mOhms MAX.

ENVIRONMENT:
 OPERATING TEMPERATURE: -55°C TO +105°C



UNC #4-40 HEXSCREW (INTERNAL & EXTERNAL THREADS)



| 44-PIN MALE | 44-PIN MALE |
|-------------|-------------|
| 1 | 1 |
| 2 | 2 |
| 3 | 3 |
| | |
| 43 | 43 |
| 44 | 44 |
| SHELL | SHELL |

PIN OUT

RoHS COMPLIANT

UNITS = inch [mm] DO NOT SCALE FROM DRAWING

| | | |
|--|---------------------------------------------------------------------------------------------------------------------------------------------------------------------------------------------|---------------------|
| | THESE DRAWINGS AND SPECIFICATIONS ARE THE PROPERTY OF NorComp AND SHALL NOT BE REPRODUCED, COPIED OR USED AS THE BASIS FOR THE MANUFACTURE OR SALE OF APPARATUS WITHOUT WRITTEN PERMISSION. | DRAWN: C. SMITH |
| | | DATE: 10/12/2007 |

| | | | |
|--|----------------------|--------------|-------|
| | SCALE: NTS | SHEET 1 OF 1 | REV 4 |
| | DWG NO. GCHDLP44M44M | | |